

## Service Manual

# SAT

## STC 332

(G.AE 0359)

### Grundig Service

Hotline Deutschland...  
...Mo.-Fr. 8.00-18.00 Uhr

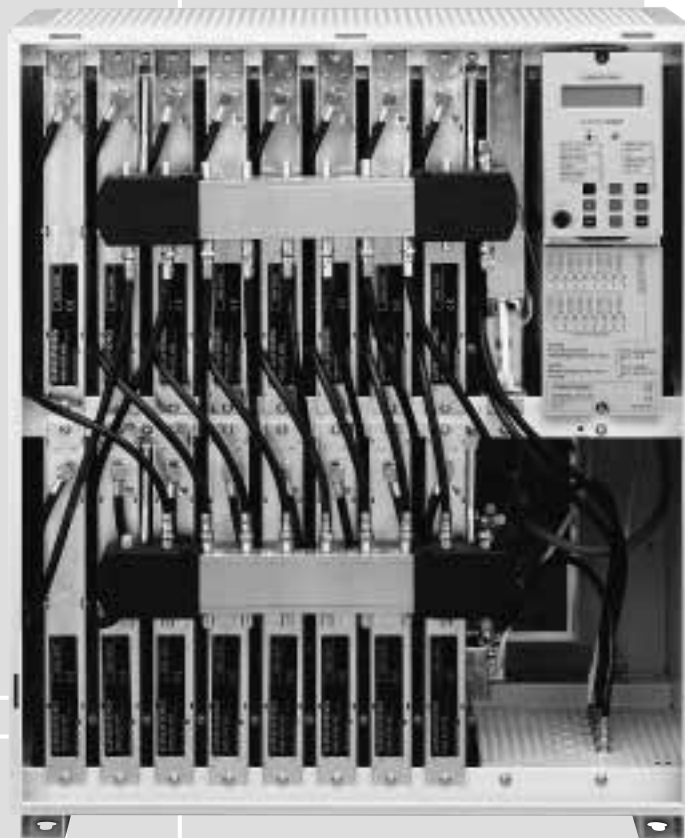
**Technik:**

|                   |               |
|-------------------|---------------|
| TV                | 0180/52318-41 |
| TV                | 0180/52318-49 |
| SAT               | 0180/52318-48 |
| VCR/LiveCam       | 0180/52318-42 |
| HiFi/Audio        | 0180/52318-43 |
| Car Audio         | 0180/52318-44 |
| Telekommunikation | 0180/52318-45 |
| Fax:              | 0180/52318-51 |

Planatron (8.00-22.00 Uhr) 0180/52318-99

Ersatzteil-Verkauf: Mo.-Fr. 8.00-19.00 Uhr

Telefon: 0180/52318-40  
Fax: 0180/52318-50



Zusätzlich erforderliche  
Unterlagen für den Komplettservice

Additionally required  
Service Manuals for the Complete Service

**Service  
Manual**

**STC 332**

Sach-Nr./Part No.  
72010 023 7000

**Service  
Manual**

**Sicherheit  
Safety**

Sach-Nr./Part No.  
72010 800 0000

Btx \* 32700 #

Materialnummer  
Part Number 72010 023 7000

Änderungen vorbehalten  
Subject to alteration

Printed in Germany  
E-BS 33/32 0899

<http://www.grundig.de>

Es gelten die Vorschriften und Sicherheitshinweise gemäß dem Service Manual "Sicherheit", Materialnummer 72010 800 0000, sowie zusätzlich die eventuell abweichenden, landesspezifischen Vorschriften!



The regulations and safety instructions shall be valid as provided by the "Safety" Service Manual, part number 72010 800 0000, as well as the respective national deviations.

**D**

## Allgemeine Hinweise

### Materialnummern

Durch die EDV-Umstellung wurden die bisherigen 10-stelligen Materialnummern auf 12-stellige geändert.

Beispiel: bisher: 29504-111.22  
neu: 29504 111 2200

Während der Umstellphase können im Service Manual beide Schreibweisen vorkommen.

## Inhaltsverzeichnis

|                                                              | Seite                  |
|--------------------------------------------------------------|------------------------|
| <b>Allgemeiner Teil .....</b>                                | <b>1-1... 1-11</b>     |
| Meßgeräte / Hilfsmittel .....                                | 1-2                    |
| Technische Daten .....                                       | 1-3                    |
| Reparaturhinweis .....                                       | 1-3                    |
| Schaltplansymbole .....                                      | 1-3                    |
| Service und Sonderfunktionen .....                           | 1-4                    |
| Descrambler-Nachrüstatz DNS 850 C .....                      | 1-5                    |
| Bedienungsanleitung .....                                    | 1-8                    |
| <br><b>Schaltpläne und<br/>Druckplattenabbildungen .....</b> | <br><b>2-1... 2-20</b> |
| Descrambler-Platte .....                                     | 2-1                    |
| Backplane .....                                              | 2-3                    |
| Netzteil .....                                               | 2-7                    |
| Hybrid-Verstärker .....                                      | 2-11                   |
| Eingangsverteiler .....                                      | 2-13                   |
| Ausgangssammler .....                                        | 2-15                   |
| Bedien-Einheit .....                                         | 2-17                   |
| <br><b>Ersatzteilliste .....</b>                             | <br><b>3-1... 3-3</b>  |

## Allgemeiner Teil

### Meßgeräte / Hilfsmittel

Beachten Sie bitte das Grundig Meßtechnik-Programm, das Sie unter folgender Adresse erhalten:

Grundig AG  
Geschäftsbereich Instruments  
Test- und Meßsysteme  
Würzburger Str. 150  
D-90766 Fürth  
Tel.: 0911 / 703-4118  
Fax: 0911 / 703-4130  
eMail: instruments@grundig.de  
Internet: <http://www.grundig-instruments.de>

**GB**

## General Notes

### Part Numbers

Due to the conversion of the EDP system, the previous 10-digit part numbers were change to 12-digit numbers.

Example: previous: 29504-111.22  
new: 29504 111 2200

During the conversion of the system, either form may be found in the Service Manual.

## Table of Contents

|                                                          | Page                   |
|----------------------------------------------------------|------------------------|
| <b>General Section .....</b>                             | <b>1-1... 1-14</b>     |
| Test Equipment / Aids .....                              | 1-2                    |
| Technical Data .....                                     | 1-3                    |
| Service Note .....                                       | 1-3                    |
| Circuit Diagram Symbols .....                            | 1-3                    |
| Service and Special Functions .....                      | 1-4                    |
| Fitting Instructions for DNS 850 C .....                 | 1-5                    |
| Operating Hints .....                                    | 1-11                   |
| <br><b>Circuit Diagrams<br/>and Layout of PCBs .....</b> | <br><b>2-1... 2-20</b> |
| Descrambler Board .....                                  | 2-1                    |
| Backplane .....                                          | 2-3                    |
| Power Supply .....                                       | 2-7                    |
| Hybrid Amplifier .....                                   | 2-11                   |
| Input Distributor .....                                  | 2-13                   |
| Output Collector Field .....                             | 2-15                   |
| Control Unit .....                                       | 2-17                   |
| <br><b>Spare Parts List .....</b>                        | <br><b>3-1... 3-3</b>  |

## General Section

### Test Equipment / Aids

Please note the Grundig Catalog "Test and Measuring Equipment" obtainable from:

### Technische Daten

Kassetten ..... 16 Steckplätze für maximal 32 Ausgangskanäle  
 Eingangsfrequenzbereich ..... 950 ... 2150MHz  
 Eingangsverteiler ..... 2 x 2 -auf- je 9 (je -16dB)  
 HF-Ausgangspegel ..... max. 104dBµV  
 Einstellbereich des HF-Pegelstellers  
 (Ausgangssammler) ..... -20dB  
 Netzspannung ..... 195V ... 260V~; 50/60Hz  
 Leistungsaufnahme  
 (inklusive Fernspeisung) ..... ca. 180W voll bestückt  
 zulässige Umgebungstemperatur,  
 ohne Be- und Entfeuchtung ..... -20°C ... 50°C  
 Abmessungen (BxHxT) ..... ca. 532 x 637 x 310mm  
 Gewicht ..... ca. 60kg (voll bestückt)

### Reparaturhinweis

Um die hochfrequenztechnischen Vorschriften wie z.B. Störstrahlung, Störleistung, Oszillatordrift, Einhaltung der Bild- und Tonnormen zu gewährleisten, werden die Kassetten in der Fertigung mit großem computerunterstütztem Meßgeräteaufwand abgeglichen. Auch bei der Reparatur müssen nach jedem Eingriff in die Kassette alle Parameter kontrolliert bzw. eingestellt werden.  
**Deshalb sind die Kassetten nur als Tauschteil erhältlich.**

Aus diesem Grund haben wir die Schaltung und den Abgleich der verschiedenen Kassetten mit Tuner und Modulator nicht veröffentlicht.

Auch werden für diese Kassetten keine Ersatzteile bevorratet.

Nach Austausch einer Kassette muß der Ausgangspegel mit dem jeweiligen Pegelsteller am Ausgangssammler an die Antennenanlage angepaßt werden.

### Technical Data

Cassettes ..... 16 plug-in units for maximum 32 output channels  
 Input frequency range ..... 950 ... 2150MHz  
 Input distributor ..... 2 x 2 - to -9 each (-16dB each)  
 RF output level ..... max. 104dBµV  
 Adjustment range of RF level control  
 (Output collector field) ..... -20dB  
 Mains supply ..... 195V ... 260V~; 50/60Hz  
 Power consumption  
 (incl. remote supply) ..... abt. 180W fully fitted with cassettes  
 Permissible ambient temperature,  
 without humidification and dehumidification ..... -20°C ... 50°C  
 Dimensions (WxHxD) ..... abt. 532 x 637 x 310mm  
 Weight ..... abt. 60kg (fully fitted with cassettes)

### Service Note

To ensure the compliance with the regulations valid in the field of high-frequency engineering, for example concerning interference radiation, interference power, oscillator drift, picture and sound standards, the cassettes are adjusted in the factory using a multitude of computer-aided measuring instruments. On carrying out repairs within the cassette all parameters must be checked and adjusted if necessary.  
**That is why the cassettes are available only as an exchange part.**

Therefore we refrain from publishing the circuit diagram and alignment procedures of the different cassettes with tuner and modulator.

Spare parts for these cassettes are not kept in stock either.

On replacement of a cassette the output level must be adjusted with the respective level control at the collective output to match with the antenna system.

## Schaltplansymbole / Circuit diagram symbols / Symboles schema / Simboli sullo schema / Simbolos en los esquemas

(D)                      (GB)                      (F)                      (I)                      (E)

|                                                                                                                                                                                                              |                                                                                                                                                                                                                                                              |                                                                                                                                                                                                                                                                           |                                                                                                                                               |                                                                                                                                               |                                                                                                                                               |                                                                                                                                                                                                                              |                                                                                                                                                                                                                                                                                                                       |                                                                                                                                                   |                                                                                                                                                   |                                                                                                                                                                                                                                      |                                                                                                                                                                                 |                                                                                                                                                                                                                                                                                   |                                                                                                                                                                                                                                                                                    |                                                                                                                                                                                                                                                                     |                                                                                                                                                                                                                                                                                   |                                                                                                                                                                                                                                                                    |                                                                                                                                                                                                                                       |
|--------------------------------------------------------------------------------------------------------------------------------------------------------------------------------------------------------------|--------------------------------------------------------------------------------------------------------------------------------------------------------------------------------------------------------------------------------------------------------------|---------------------------------------------------------------------------------------------------------------------------------------------------------------------------------------------------------------------------------------------------------------------------|-----------------------------------------------------------------------------------------------------------------------------------------------|-----------------------------------------------------------------------------------------------------------------------------------------------|-----------------------------------------------------------------------------------------------------------------------------------------------|------------------------------------------------------------------------------------------------------------------------------------------------------------------------------------------------------------------------------|-----------------------------------------------------------------------------------------------------------------------------------------------------------------------------------------------------------------------------------------------------------------------------------------------------------------------|---------------------------------------------------------------------------------------------------------------------------------------------------|---------------------------------------------------------------------------------------------------------------------------------------------------|--------------------------------------------------------------------------------------------------------------------------------------------------------------------------------------------------------------------------------------|---------------------------------------------------------------------------------------------------------------------------------------------------------------------------------|-----------------------------------------------------------------------------------------------------------------------------------------------------------------------------------------------------------------------------------------------------------------------------------|------------------------------------------------------------------------------------------------------------------------------------------------------------------------------------------------------------------------------------------------------------------------------------|---------------------------------------------------------------------------------------------------------------------------------------------------------------------------------------------------------------------------------------------------------------------|-----------------------------------------------------------------------------------------------------------------------------------------------------------------------------------------------------------------------------------------------------------------------------------|--------------------------------------------------------------------------------------------------------------------------------------------------------------------------------------------------------------------------------------------------------------------|---------------------------------------------------------------------------------------------------------------------------------------------------------------------------------------------------------------------------------------|
| <div style="border: 1px solid black; padding: 2px; width: 30px; height: 30px; margin: 0 auto; text-align: center; line-height: 30px;">☐</div> <p>Kontrast / Contrast / Contraste / Contrasto / Contraste</p> | <div style="border: 1px solid black; padding: 2px; width: 30px; height: 30px; margin: 0 auto; text-align: center; line-height: 30px;">U<br/>AFC</div> <p>Regelspg. AFC / AFC contr. volt. / Tens. de regul. AFC / Tens. di contr. AFC / Tens. regul. CAF</p> | <div style="border: 1px solid black; padding: 2px; width: 30px; height: 30px; margin: 0 auto; text-align: center; line-height: 30px;">A</div> <p>Matrixschaltspg. / Matrix switching volt. / Tens. de commut. matrix / Tens. di commut. matrix / Tens. conmut. matrix</p> | <div style="border: 1px solid black; padding: 2px; width: 30px; height: 30px; margin: 0 auto; text-align: center; line-height: 30px;">B</div> | <div style="border: 1px solid black; padding: 2px; width: 30px; height: 30px; margin: 0 auto; text-align: center; line-height: 30px;">C</div> | <div style="border: 1px solid black; padding: 2px; width: 30px; height: 30px; margin: 0 auto; text-align: center; line-height: 30px;">D</div> | <div style="border: 1px solid black; padding: 2px; width: 30px; height: 30px; margin: 0 auto; text-align: center; line-height: 30px;">BASIS-BAND</div> <p>Basisband / Baseband / Bande de base / Banda base / Banda base</p> | <div style="border: 1px solid black; padding: 2px; width: 30px; height: 30px; margin: 0 auto; text-align: center; line-height: 30px;">FEAT1</div> <p>Featureleitungen (nicht verwendet) / Feature lines (unused) / Lignes Feature (non utilisées) / Linie Feature (non adoperato) / Lineas Feature (no utilizado)</p> | <div style="border: 1px solid black; padding: 2px; width: 30px; height: 30px; margin: 0 auto; text-align: center; line-height: 30px;">FEAT2</div> | <div style="border: 1px solid black; padding: 2px; width: 30px; height: 30px; margin: 0 auto; text-align: center; line-height: 30px;">FEAT3</div> | <div style="border: 1px solid black; padding: 2px; width: 30px; height: 30px; margin: 0 auto; text-align: center; line-height: 30px;">RESET</div> <p>Resetleitung / Reset line / Ligne à reset / Linea di reset / Linea de reset</p> | <div style="border: 1px solid black; padding: 2px; width: 30px; height: 30px; margin: 0 auto; text-align: center; line-height: 30px;">SCL</div> <p>I<sup>2</sup>C-Bus Clock</p> | <div style="border: 1px solid black; padding: 2px; width: 30px; height: 30px; margin: 0 auto; text-align: center; line-height: 30px;">AUDIO-L IN</div> <p>Ton-Eingang links / Audio signal input left / Entrée audio gauche / Ingresso audio sinistra / Entrada audio derecha</p> | <div style="border: 1px solid black; padding: 2px; width: 30px; height: 30px; margin: 0 auto; text-align: center; line-height: 30px;">AUDIO-L OUT</div> <p>Ton-Ausgang links / Audio signal output left / Sortie audio gauche / Uscita audio sinistra / Salida audio izquierda</p> | <div style="border: 1px solid black; padding: 2px; width: 30px; height: 30px; margin: 0 auto; text-align: center; line-height: 30px;">VIDEO IN</div> <p>Video-Eingang / Video signal input / Entrée signal vidéo / Ingresso segnale video / Entrada señal video</p> | <div style="border: 1px solid black; padding: 2px; width: 30px; height: 30px; margin: 0 auto; text-align: center; line-height: 30px;">AUDIO-R IN</div> <p>Ton-Eingang rechts / Audio signal input right / Entrée audio droite / Ingresso audio destra / Entrada audio derecha</p> | <div style="border: 1px solid black; padding: 2px; width: 30px; height: 30px; margin: 0 auto; text-align: center; line-height: 30px;">VIDEO OUT</div> <p>Video-Ausgang / Video signal output / Sortie signal vidéo / Uscita segnale video / Salida señal video</p> | <div style="border: 1px solid black; padding: 2px; width: 30px; height: 30px; margin: 0 auto; text-align: center; line-height: 30px;">AUDIO-R OUT</div> <p>Ton-Ausgang rechts / Audio signal output right / Sortie audio droite /</p> |
|--------------------------------------------------------------------------------------------------------------------------------------------------------------------------------------------------------------|--------------------------------------------------------------------------------------------------------------------------------------------------------------------------------------------------------------------------------------------------------------|---------------------------------------------------------------------------------------------------------------------------------------------------------------------------------------------------------------------------------------------------------------------------|-----------------------------------------------------------------------------------------------------------------------------------------------|-----------------------------------------------------------------------------------------------------------------------------------------------|-----------------------------------------------------------------------------------------------------------------------------------------------|------------------------------------------------------------------------------------------------------------------------------------------------------------------------------------------------------------------------------|-----------------------------------------------------------------------------------------------------------------------------------------------------------------------------------------------------------------------------------------------------------------------------------------------------------------------|---------------------------------------------------------------------------------------------------------------------------------------------------|---------------------------------------------------------------------------------------------------------------------------------------------------|--------------------------------------------------------------------------------------------------------------------------------------------------------------------------------------------------------------------------------------|---------------------------------------------------------------------------------------------------------------------------------------------------------------------------------|-----------------------------------------------------------------------------------------------------------------------------------------------------------------------------------------------------------------------------------------------------------------------------------|------------------------------------------------------------------------------------------------------------------------------------------------------------------------------------------------------------------------------------------------------------------------------------|---------------------------------------------------------------------------------------------------------------------------------------------------------------------------------------------------------------------------------------------------------------------|-----------------------------------------------------------------------------------------------------------------------------------------------------------------------------------------------------------------------------------------------------------------------------------|--------------------------------------------------------------------------------------------------------------------------------------------------------------------------------------------------------------------------------------------------------------------|---------------------------------------------------------------------------------------------------------------------------------------------------------------------------------------------------------------------------------------|

## Service- und Sonderfunktionen

### 1. LCD-Test und Versionsnummer

Werden zwei beliebige Tasten gedrückt, sind alle Pixel des Displays angesteuert (Testzweck). Werden zwei Tasten ca. 5s gedrückt, zeigt das Display den aktuellen Softwarestand des Prozessors CIC68000 an, z.B. **23798-001.01**.

### 2. Fehlermeldungen

Fehlfunktionen des Systems werden im Display der Bedieneinheit angezeigt:

2.1 Mit der Taste "+" alle Kassetten durchwählen. Bei der Fehlermeldung

Box X  
Box X not working

ist die angewählte Kassette nicht kontaktiert oder arbeitet nicht korrekt.

2.2 Das System findet keine korrekt arbeitende Box

No working Box  
found

#### Hinweis:

**Diese Anzeige erscheint auch bei defektem Speicher-IC (NVM).**

2.3 Die Kassetten können nicht arbeiten, da die I<sup>2</sup>C-Clockleitung "SCL" auf "Low" liegt.

Clock SCL low

2.4 Die Kassetten können nicht arbeiten, da die I<sup>2</sup>C-Datenleitung "SDA" auf "Low" liegt.

Data SDA low

2.5 Bei Einstellung des Ausgangskanals kann kurzzeitig die Anzeige

NVM Checksum error

bei defektem Modulatorspeicher (NVM) auftreten.

### 3. Copy-Funktion

Nach Austausch des NVMs (X24C02) muß der unprogrammierte Speicher wieder belegt werden:

- Original Kassette (Master) auf Platz 1
- zu kopierende Kassette (Slave) auf Platz 2
- Taste "Mode" gedrückt halten und das Netzkabel der Kopfstation einstecken. Taste "Mode" ca. 10sec gedrückt halten bis Anzeige im Display:

Copy Box 1 → Box 2 ?  
Press (M)

Taste "M" drücken.

Während des Kopiervorgangs erscheint die Anzeige:

Copying  
please wait

#### Reparaturhinweis

Nach Austausch einer Kassette muß der Ausgangspegel mit dem jeweiligen Pegelsteller am Ausgangssammler an die Antennenanlage angepaßt werden.

## Service and Special Functions

### 1. LCD Test and Version Number

For testing the LCD all pixels of the display are driven when pressing any two buttons simultaneously. Pressing two buttons for 5s approximately displays the current software version of the processor CIC68000, e.g. **23798-001.01**.

### 2. Error Messages

Malfunctions of the system are indicated in the display of the control unit:

2.1 With the "+" button select one cassette after the other. The error message

Box X  
Box X not working

says that the selected box is not connected or does not work correctly.

2.2 The system does not find any correctly working box

No working Box  
found

**Note: This indication appears also in the case of a defective memory IC (NVM).**

2.3 The cassettes do not work because the "SCL" I<sup>2</sup>C-Clock lead is clamped to low level.

Clock SCL low

2.4 The cassettes do not work because the "SDA" I<sup>2</sup>C-Data lead is clamped to low level.

Data SDA low

2.5 When setting the output channel the indication

NVM Checksum error

may appear for a short time if the modulator memory (NVM) is defective.

### 3. Copy Function

On replacement of the NVM (X24C02) data must be re-entered into the non-programmed memory:

- original cassette (master) at location 1
- cassette to be programmed (slave) at location 2
- depress and hold down the "Mode" button while plugging in the mains cable of the head station. Keep the button "Mode" depressed for abt. 10sec until the display shows:

Copy Box 1 → Box 2 ?  
Press (M)

Press button "M".

During the copying function the display shows:

Copying  
please wait

#### Service Note

On replacement of a cassette the output level must be adjusted with the respective level control at the collective output to match with the antenna system.

## Descrambler-Nachrüstatz DNS 850 C

Der DNS 850 C dient zur Nachrüstung der SAT-Kassetten HRM 331, 333A, 334, 335A, 341, 343, 345 mit einer 15-poligen Sub-Min-D-Descrambler-Anschlußbuchse.

Ein Adapterkabel Sub-Min-D ↔ EURO-AV liegt dem Nachrüstatz bei.

Dieser Descrambler-Nachrüstatz dient zum Anschluß eines lizenzierten Decoders (Descrambler), eines Video-Recorders (z.B. im Hotelbetrieb) oder einer Überwachungs-Kamera (z.B. Kinderspielplatz).

Er ist für die Aus-/Einkopplung von Bild- und Ton-Signalen geeignet. Außerdem läßt sich dieser Nachrüstatz mit einer 0/12 Volt-Schaltspannung fernsteuern, so daß z.B. zwischen den Signalen einer Überwachungs-Videokamera und SAT-TV- oder SAT-Radio-Programmen umgeschaltet werden kann.

Über den 12V-Schaltspannungseingang Pin 3 der Sub-Min-D-Buchse wird das extern angeschlossene Gerät in den Signalweg geschaltet. Die meisten Decoder/Descrambler, Videorecorder oder Videokameras geben an der EURO/AV-Buchse (Kontakt 8) eine 12V-Schaltspannung aus.

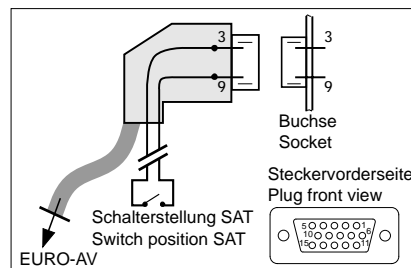
Wenn das externe Gerät keine 12V-Schaltspannung ausgibt, dann lesen Sie bitte auf dieser Seite den Abschnitt "Externe Geräte ohne 12V-Schaltspannung".

### Ferngesteuert umschalten

Sie können zwischen den Bild-/Tonsignalen der SAT-Programme und des externen Gerätes ferngesteuert umschalten.

Die Umschaltung kann entweder manuell, oder z.B. über eine Zeitschaltuhr oder einen Dämmerungsschalter erfolgen.

Der Umschalter kann im 15-poligen Stecker des beiliegenden Adapter-Kabels an Pin 9 (Schaltspannung 12V/10mA) und an Pin 3 angeschlossen werden (siehe Abbildung).

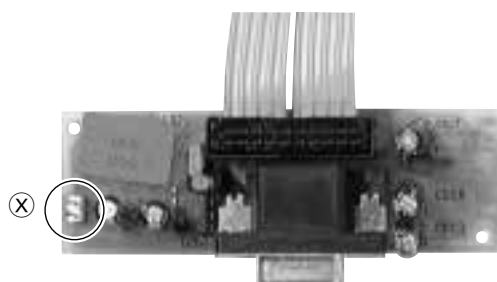


### Externe Geräte ohne 12V-Schaltspannung

Damit die Bild-/Tonsignale externer Geräte (z.B. Decoder/Descrambler, Videorecorder oder Videokameras) **ohne** eigener Schaltspannung in den Signalweg der Kassette geschaltet werden können, muß an Pin 3 der Decoderbuchse (Schaltspannungseingang) eine externe 12V-Schaltspannung gelegt werden.

### Die Bild-/Tonsignale externer Geräte permanent in den Signalweg schalten

Dazu auf der Bestückungsseite des Descrambler-Moduls die beiden Lötstifte (X) miteinander verbinden (siehe Abbildung).



## Descrambler Retrofit Kit DNS 850 C

The DNS 850 C is provided for retrofitting a 15-pin Sub-Min-D descrambler connecting socket to the SAT cassettes HRM 331, 333A, 334, 335A, 341, 343, 345.

An adapter cable Sub-Min-D ↔ EURO-AV is included in the kit.

This Descrambler Retrofit Kit makes it possible to connect a licensed decoder (descrambler), video recorder (e.g. in hotels) or a monitoring camera (e.g. children's playground).

It is suitable to feed out/in vision and sound signals.

Additionally, the Retrofit Kit can be remote-controlled by a 0/12 Volts switching voltage to switch over for example between the signals of a monitoring video camera and SAT-TV or SAT radio programmes.

The externally connected unit is fed into the signal path via the 12V switching voltage input pin 3 of the Sub-Min-D socket.

Most of the decoders/descramblers supply a 12V switching voltage from the EURO/AV socket (contact 8).

For external units not feeding out a 12V switching voltage, please see the description under "External Units without 12V Switching Voltage" on this page.

### Remote-Controlled Switching

Remote switching between the vision/sound signals of SAT programmes and the external unit is possible either manually or, for example, via a timer or a dawn switch.

The switch can be connected to pin 9 (12V/10mA switching voltage) and pin 3 of the 15-pin plug of the adapter cable enclosed (see figure).

### External Units without 12V Switching Voltage

To switch the vision/sound signals of external units (e.g. decoder/descrambler, video recorder or video camera) **not** producing a switching voltage into the signal path of the cassette an external 12V switching voltage is to be applied to pin 3 (switching voltage input) of the decoder socket.

### Feeding in the vision/sound signals of external units permanently into the signal path

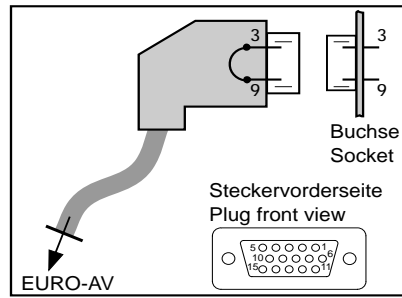
For this connect the two pins (X) on the components side of the descrambler module (see figure).

### Die Bild-/Tonsignale externer Geräte variabel in den Signalweg schalten

Dazu im 15-poligen Stecker des beiliegenden Adapter-Kabels Pin 9 (Schaltspannung 12V/10mA) mit Pin 3 verbinden (siehe Abbildung).

### Feeding in the vision/sound signals of external units variably into the signal path

For this connect pin 9 (12V/10mA switching voltage) with pin 3 of the 15-pin plug of the adapter cable enclosed (see figure).



Nur wenn externes Gerät und Kassette über das modifizierte Adapter-Kabel verbunden sind, werden die Bild-/Tonsignale des externen Gerätes in den Signalweg der Kassette geschaltet.

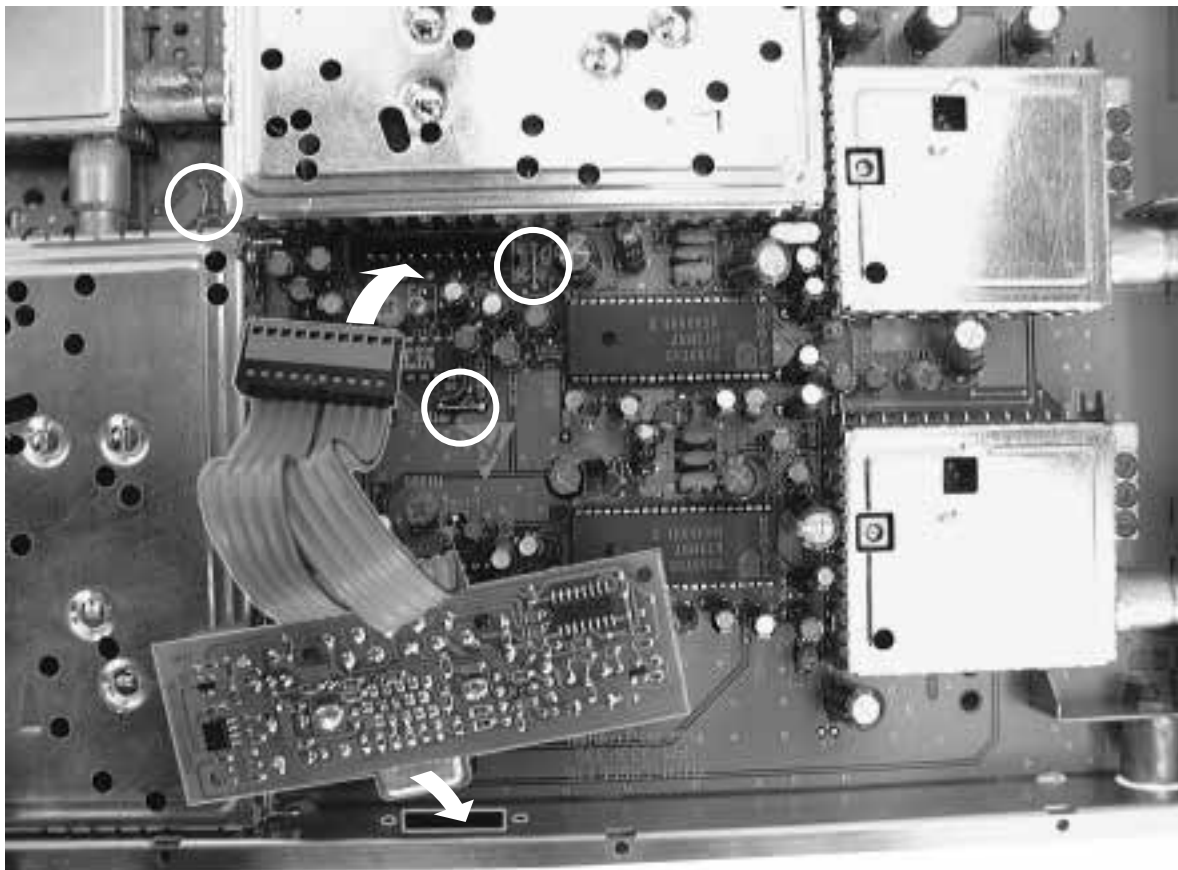
The vision/sound signals of the external unit are fed into the signal path of the cassette unless the external unit and the cassette are connected with each other with the modified adapter cable.

### Montage des Nachrüstsatzes

Deckel der Kassettenoberseite abnehmen.  
 Auf der Bestückungsseite der Chassisplatte die 3 Drahtbrücken unterbrechen (siehe Abbildung).  
 Den vorgestanzten Soll-Durchbruch an der Vorderseite der Kassette durchstoßen.  
 Eine Buchse des Flachbandkabels in die Steckerleiste des Descrambler-Moduls stecken.  
 Descrambler-Modul – mit der Lötseite nach oben – in den Durchbruch einsetzen und mit den beiliegenden Schrauben befestigen.  
 Keine Zahn- und/oder Beilagscheiben verwenden!  
 Andere Buchse des Flachbandkabels in die Steckerleiste der Chassisplatte stecken.  
 Deckel der Kassettenoberseite aufsetzen und befestigen.

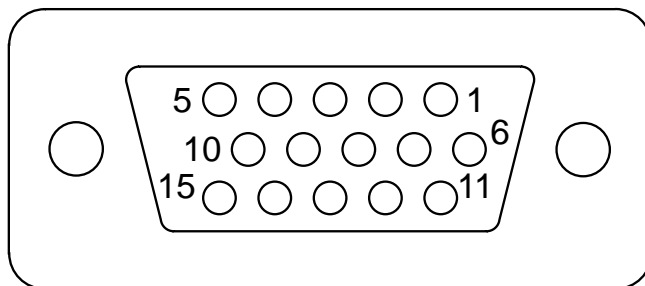
### Fitting Instructions

Remove the cover on the upper side of the cassette.  
 Open the 3 wire bridges on the components side of the chassis (see figure).  
 Break out the prepunched predetermined cutout on the front of the cassette.  
 Plug one socket of the ribbon cable into the multi-point connector of the descrambler module.  
 Insert the descrambler module - solder side up - into the cutout and fasten it with the screws enclosed.  
 Do not use tooth lock washers or shims!  
 Insert the other socket of the ribbon cable into the multi-point connector on the chassis board.  
 Attach the cover to the upper side of the cassette.



## Belegung der Sub-Min-D-Buchse

## Pinning of the Sub-Min-D Socket



1 = Audio-Eingang links

2 = FBAS-Eingang

3 = Eingang Schaltspannung 12V

4 = Basisband-Ausgang (ungeklemmt, PAL-Deemphasis\*)

5 = FBAS-Ausgang (geklemmt, PAL-Deemphasis)

6 = Audio-Eingang rechts

8 = Masse

9 = Ausgang Schaltspannung 12V/10mA

10 = —

11 = Masse

12 = Audio – Ausgang links

13 = Audio – Ausgang rechts

14 = —

15 = —

1 = Audio input left

2 = CCVS input

3 = Input 12V switching voltage

4 = Baseband output (unclamped, PAL deemphasis\*)

5 = CCVS output (clamped, PAL deemphasis)

6 = Audio input right

8 = Ground

9 = Output 12V/10mA switching voltage

10 = —

11 = Ground

12 = Audio output left

13 = Audio output right

14 = —

15 = —

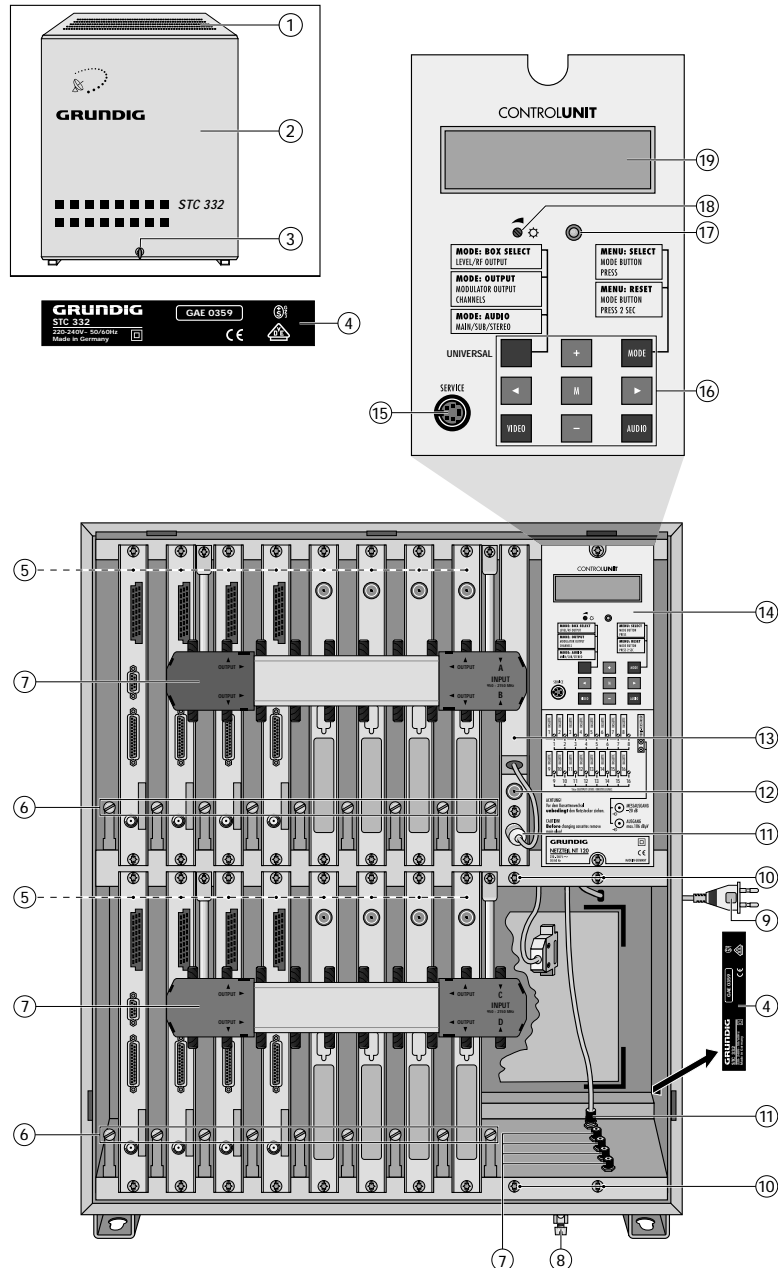
\*) Im Auslieferungszustand ist das Basisbandsignal mit PAL-Deemphasis eingestellt. Wird eine lineare Deemphasis benötigt – z.B. bei D2-MAC Decodern, – muß diese erst eingestellt werden: Drücken Sie die Taste "MODE" 3 mal -> im Display wird DECODER angezeigt. Mit den Tasten "+/-" können Sie zwischen PAL und linear umschalten. Einstellung mit Taste "M" speichern. Eine ausführliche Beschreibung finden Sie in der Bedienungsanleitung der Kassetten, im Abschnitt Decodernormauswahl.

\*) When leaving the factory, the socket is set to the baseband signal with PAL deemphasis. Should a linear deemphasis be needed - e.g. for D2-MAC decoders - this deemphasis is to be adjusted first: Press button "MODE" 3 times -> the display shows DECODER. With buttons "+/-" change between PAL and linear. Store with button "M". For the complete description please see the user manual of the cassettes under Decoder Standards Selection .

## Bedienhinweise

**Hinweis:** Dieses Kapitel enthält Auszüge aus der Bedienungsanleitung. Weitergehende Informationen entnehmen Sie bitte der gerätespezifischen Bedienungsanleitung, deren Materialnummer Sie in der entsprechenden Ersatzteilliste finden.

### Anordnung und Bezeichnung der Komponenten



### Komponenten und Anschlüsse

- ① Lüftungslöcher der Kopfstation.
- ② Nach oben abnehmbare Türe.
- ③ Schlüssel für die Türe der Kopfstation.
- ④ Typenschild.
- ⑤ 2 x 8 Cassettensteckplätze.
- ⑥ 2 x 8 Pegelsteller für das Ausgangssignal (Einstellbereich 0 dB bis -20 dB).
- ⑦ SAT-Eingangverteiler 1 + 2 (aufgeteilt in 2 separate Gehäuse): **insgesamt 4 Eingänge A, B, C, D**, (F-Buchsen, female)  
**9 Ausgänge je Eingang** (F-Buchsen, female) (Durchgangsdämpfung: typ. -16 dB).
- ⑧ Erdungsklemme: Erdung nach den gültigen VDE-Bestimmungen 0855 durchführen.
- ⑨ Netzanschluß (an der Gehäuserückseite).
- ⑩ 4 Reserveschrauben (für Cassettenbefestigung).
- ⑪ HF-Ausgangsbuchse: maximal 104 dBµV, zum Einspeisen der Signale in die vorhandene Hausverteilanlage (F-Stecker, male).
- ⑫ HF-Meßausgang: -20 dB (IEC-Stecker, male).
- ⑬ Hybridverstärker.
- ⑭ Netzteil und Bedieneinheit.

2 Versorgungsstecker (LNC-Spannung +18 Volt DC) für die HF-Eingänge **A, B** und für die HF-Eingänge **C, D** (siehe Seite 5, Abschnitt „Bei Betrieb mit Twin-LNC“).

### Die Bedieneinheit

#### ⑮ SERVICE-Buchse

Schnittstelle, vorgesehen für PC-gesteuerte Programmierung; Eingangsbuchse für Software-Update.

#### ⑯ Tasten der Bedieneinheit

##### Universalstaste (MAIN/SUB/STEREO)

Im Menü »OUTPUT« diese Taste so oft drücken, bis im Display die Ausgangskanäle der Cassetten 1 bis 4, 5 bis 8, 9 bis 12 oder 13 bis 16 angezeigt werden. Nochmaliges Drücken führt zurück zum Menü »OUTPUT«.

Im Menü »AUDIO« wird durch Drücken dieser Taste (MAIN/SUB)« der Hauptton sowie der Tonüberträger »Main« »Sub-Mono« oder »Stereo« gewählt.

##### Taste »MODE«

Select im Menü: Weiterschalten zum nächsten Menüpunkt (Menüführung!).

Reset im Menü: Aus jedem beliebigen Menüpunkt ist ein Rücksprung an den Menüanfang durch längeres Drücken dieser Taste möglich.

Taste »VIDEO«  
Direkter Zugriff auf den Menüpunkt »Videohub«.

Taste »AUDIO«  
Direkter Zugriff auf den Menüpunkt »AUDIO« (Tonfrequenzwahl).

Tasten »◀ ▶«  
In den Menüs »INPUT« und »AUDIO«: Verschieben der Cursor-Position im Display nach links oder rechts.

Tasten »+ / -«  
Einstellwerte verändern.

Taste »M« (Memory)  
Abspeichern der eingestellten Werte.

- ⑰ Betriebsanzeige.
- ⑱ Einstellen des Display-Kontrastes.
- ⑲ Display der Bedieneinheit.

### Allgemeines

**1** Bei der Kopfstation STC 332 handelt es sich um ein modulares System zum Empfang und Umsetzen von analogen Satelliten-Programmen (Radio und TV), digitalen Satelliten-Programmen (Radio und DVB-TV = Digital Video Broadcasting) sowie terrestrischen Radio- und TV-Programmen. Angeschlossene Teilnehmer können unabhängig voneinander alle analogen und digitalen Satelliten-Signale der ausgesuchten Satelliten empfangen.

**2** Die empfangenen Satelliten-Signale werden je nach Cassetten-Typ in einen UKW- oder TV-Standardkanal umgesetzt.

Zum Angebot gehören auch Aufbereitungen von digitalen Satelliten-Signalen in wahlweise ein OAM- oder ein PAL-Ausgangssignal.

**3** Durch den modularen, steckbaren Systemaufbau ist es möglich diese Kopfstation mit bis zu max. 16 Cassetten zu bestücken. Je nach Bestückungsvariante können bis zu 32 TV- oder 64 Radio-Programme aufbereitet werden.

Die Cassetten beinhalten Satelliten-Tuner, Demodulatoren, Audio- und Videoaufbereitung sowie die nachbarkanaltauglichen Modulatoren.

**4** Das zentrale Schaltnetzteil liefert die Speisespannung über eine Kontaktschiene parallel an alle 16 Cassettensteckplätze. Ebenso ist das zentrale Bedienteil über I<sup>2</sup>C-Bus-Leitungen (SDA, SCL) mit den Cassetten verbunden. Die Dialogführung erfolgt über das 2-zeilige Display des Bedienteils.

### Anordnung und Bezeichnung der Komponenten



## Anschließen

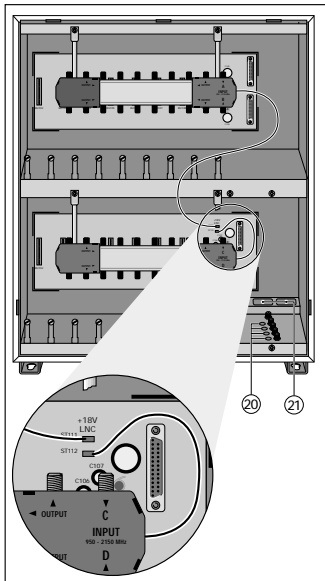
! **Vor Neubestückung oder Cassettenwechsel unbedingt den Netzstecker aus der Netzsteckdose ziehen!**

- 1 Zuerst die jeweiligen Befestigungsschrauben aus dem Halterahmen herausdrehen, dann die Cassetten (z.B. von links nach rechts) in die freien Steckplätze einsetzen und mit den Schrauben befestigen.
- 4 Reserveschrauben sind zusätzlich in den Halterahmen eingedreht.
- 2 Wenn die Kopfstation an die Netzspannung angeschlossen ist, werden alle Cassetten über die Steckverbindungen der Kontaktschiene automatisch mit den notwendigen Betriebsspannungen aus dem Schaltnetzteil versorgt.
- 3 Jede SAT-Cassette kann an einen der 4 Eingangverteiler angeschlossen werden. Alle 4 Eingangverteiler sind »fernspesiefähig«, d.h. die LNC's können mit einer Betriebsspannung von +18 V DC/1 A versorgt werden.

! **Bei Betrieb mit Twin-LNC's.**

Um bei Twin-LNC's die Vertikal-Polarisation einstellen zu können, muß auf der unteren Grundplatte dieser Kopfstation der entsprechende Versorgungsstecker (LNC-Spannung +18 Volt) für die jeweiligen HF-Eingänge (A, B oder C, D) – vor dem Einsetzen der Cassette(n) – abgezogen werden (siehe untenstehende Abbildung).

Wenn notwendig, vorher Cassette(n) ziehen.



- 4 Alle Ausgangssignale der Cassetten werden im Ausgangssammelfeld addiert und an den Hybridverstärker weitergeleitet. Der Hybridverstärker erlaubt einen Ausgangspegel von maximal 104 dB $\mu$ V. Die dazu nötige Betriebsspannung von 24 V DC liefert das Schaltnetzteil.
- 5 Die Pegelsteller an der Frontseite ermöglichen die exakte Einstellung der Ausgangssignale.
- 6 Ein zusätzlicher Monitorausgang (ca. -20 dB) erlaubt den Anschluss eines TV-Meßempfängers für Service- oder Überwachungsarbeiten.
- 7 Man kann die Kopfstation auch mit weniger als 16 Doppel- oder Einzel-Cassetten betreiben, sowie mehrere Kopfstationen zusammenschalten (siehe Seite 8).
- 8 Im Servicefall reicht es aus, einfach die defekte Cassette gegen eine neue des gleichen Typs zu tauschen, sie wird automatisch programmiert.
- 9 Vorgestanzte Soll-Durchbruchstellen (siehe Abbildung) für zusätzliche Antenneneingänge ② und zum Anschließen externer Geräte ③ (z.B. Descrambler über EURO-AV-Kabel) erleichtern die Nachrüstmöglichkeiten.

## Netzanschluß

! Beim Aufstellen und vor der Inbetriebnahme ist auf richtige Erdung nach den gültigen VDE-Bestimmungen 0855 zu achten.

- 1 Kopfstation an eine Netzspannung 220 . . . 240 V~, 50/60 Hz anschließen.

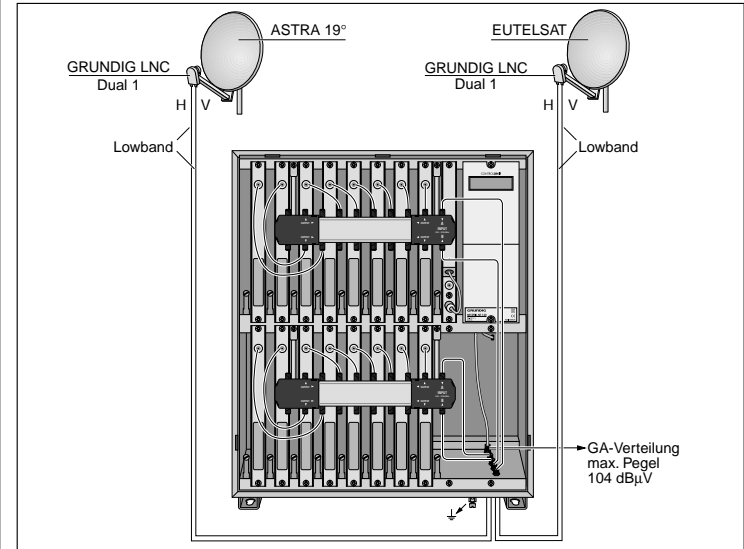
! Nur durch Ziehen des Netzsteckers ist die Kopfstation ausgeschaltet.

! **Vor dem Wechseln des Netzteils zuerst den Netzstecker aus der Netzsteckdose ziehen, danach das andere Ende des Netzkabels (am Zwischenboden der Kopfstation) aus dem Netzteil ziehen!**

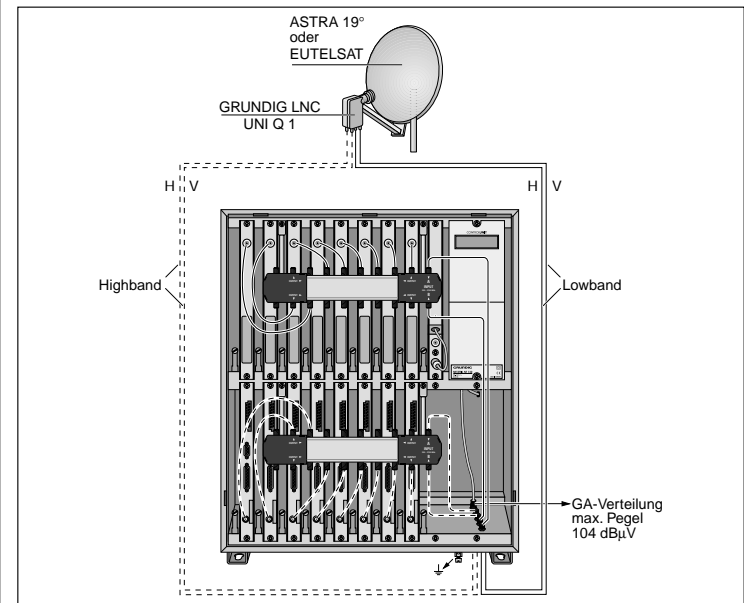
## Anschließen

## Anschlussbeispiele

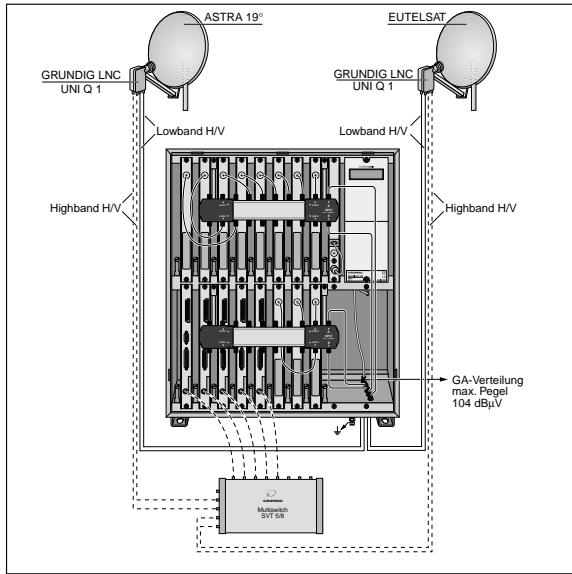
### ☐ Anschlussbeispiel 1: Analogaufbereitung von zwei Satelliten



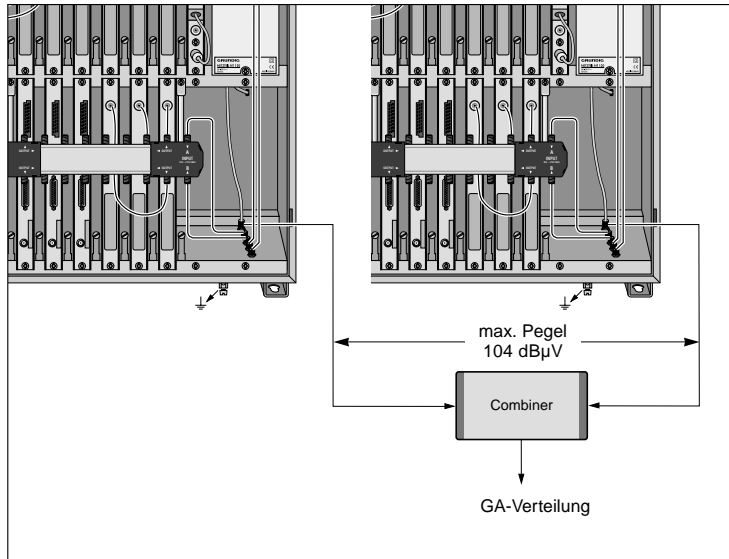
### ☐ Anschlussbeispiel 2: Analog- und Digitalaufbereitung von einem Satelliten



**Anschlussbeispiel 3: Analog- und Digitalaufbereitung von zwei Satellitensystemen**



**Anschlussbeispiel 4: Zusammenschalten von zwei GRUNDIG Kopfstationen STC 332**



**Anschlussbeispiele**

**Übersicht der SAT-Cassetten für die GRUNDIG Kopfstation STC 332**

Die Erläuterung der Cassettenprogrammierung finden Sie in der Bedienungsanleitung der jeweils eingesetzten Cassette. Im folgenden werden die zur Zeit erhältlichen Cassetten mit den wichtigsten Daten aufgeführt. Die Frequenzzuordnung zu den angegebenen Kanälen finden Sie im Kapitel "Kanal-Frequenz-Zuordnung" (am Ende der Bedienungsanleitung).

| Cassetten Typ                            | Eingangsbereich der Cassette                | Ausgangsbereich der Cassette                  | Kanalraster Norm |
|------------------------------------------|---------------------------------------------|-----------------------------------------------|------------------|
| <b>Für Twin-Satelliten-Empfang</b>       |                                             |                                               |                  |
| HRM 331                                  | 950-2150 MHz                                | C2-C4, S3-S24, C5-C12, 48,25 MHz - 327,25 MHz | CCIR             |
| HRM 333 A                                | 950-2150 MHz                                | C5-C12, S3-S24, 119,25 MHz - 327,25 MHz       | CCIR             |
| HRM 334                                  | 950-2150 MHz                                | S21-S41, 303,25 MHz - 463,25 MHz              | CCIR             |
| HRM 335 A                                | 950-2150 MHz                                | C21-C69, 471,25 MHz - 855,25 MHz              | CCIR             |
| HRM 341                                  | 950-2150 MHz                                | R1-R5, s2-s21, R6-R12, 49,75 MHz - 327,25 MHz | OIRT (Multinorm) |
| HRM 343                                  | 950-2150 MHz                                | R6-R12, s2-s21, 119,25 MHz - 327,25 MHz       | OIRT (Multinorm) |
| HRM 345                                  | 950-2150 MHz                                | C21-C69, 471,25 MHz - 855,25 MHz              | OIRT (Multinorm) |
| <b>Für UKW-Rundfunk-Empfang</b>          |                                             |                                               |                  |
| HRM 324/2                                | 950-2150 MHz                                | 87,5-108 MHz                                  |                  |
| HRM 325                                  | 87,5-108 MHz                                | 87,5-108 MHz                                  |                  |
| HRM 326/4                                | 87,5-108 MHz                                | 87,5-108 MHz                                  |                  |
| <b>Für terrestrischen Empfang (CCIR)</b> |                                             |                                               |                  |
| HRM 391                                  | C2-C12, S2-S41, C21-C69, 48,25 - 855,25 MHz | C2-C4, S3-S24, C5-C12, 48,25 MHz - 327,25 MHz | CCIR             |
| HRM 393                                  | C2-C12, S2-S41, C21-C69, 48,25 - 855,25 MHz | C5-C12, S3-S24, 119,25 MHz - 327,25 MHz       | CCIR             |
| HRM 394                                  | C2-C12, S2-S41, C21-C69, 48,25 - 855,25 MHz | S21-S41, 303,25 MHz - 463,25 MHz              | CCIR             |
| HRM 395                                  | C2-C12, S2-S41, C21-C69, 48,25 - 855,25 MHz | C21-C69, 471,25 MHz - 855,25 MHz              | CCIR             |

**Übersicht SAT-Cassetten**

## Übersicht SAT-Cassetten

| Cassettyp                                                      | Eingangsbereich der Cassette                      | Ausgangsbereich der Cassette                    | Kanalrastrer Norm |
|----------------------------------------------------------------|---------------------------------------------------|-------------------------------------------------|-------------------|
| <b>Für terrestrischen Empfang (OIRT)</b>                       |                                                   |                                                 |                   |
| HCM 381                                                        | R1-R12, s2-s38, C21-C69<br>49,75 MHz - 855,25 MHz | R1-R5, s2-s21, R6-R12<br>49,75 MHz - 351,25 MHz | OIRT              |
| HCM 383                                                        | R1-R12, s2-s38, C21-C69<br>49,75 MHz - 855,25 MHz | R6-R12, s2-s21<br>119,25 MHz - 327,25 MHz       | OIRT              |
| HCM 385                                                        | R1-R12, s2-s38, C21-C69<br>49,75 MHz - 855,25 MHz | C21-C69<br>471,25 MHz - 855,25 MHz              | OIRT              |
| <b>Digital-Satelliten-Empfang (Digital Video Broadcasting)</b> |                                                   |                                                 |                   |
| HDM 303 P                                                      | 950-2150 MHz                                      | C5-C12, S3-S30<br>119,25 MHz - 375,25 MHz       | CCIR              |
| HDM 303 PA                                                     | 950-2150 MHz                                      | C5-C12, S3-S24<br>119,25 MHz - 327,25 MHz       | CCIR              |
| HDM 305 P                                                      | 950-2150 MHz                                      | C21-C69<br>471,25 MHz - 855,25 MHz              | CCIR              |
| HDM 314 C                                                      | 950-2150 MHz                                      | S21-S41<br>303,25 MHz - 463,25 MHz              | OAM               |
| HDM 315 C                                                      | 950-2150 MHz                                      | C21-C40<br>471,25 MHz - 623,25 MHz              | OAM               |
| HDM 353 P                                                      | 950-2150 MHz                                      | R6-R12, s2-s27<br>119,25 MHz - 375,25 MHz       | OIRT (Multinorm)  |
| HDM 355 P                                                      | 950-2150 MHz                                      | C21-C69<br>471,25 MHz - 855,25 MHz              | OIRT (Multinorm)  |

**i** Softwarestand des Bedienteil's der Kopfstation abfragen:

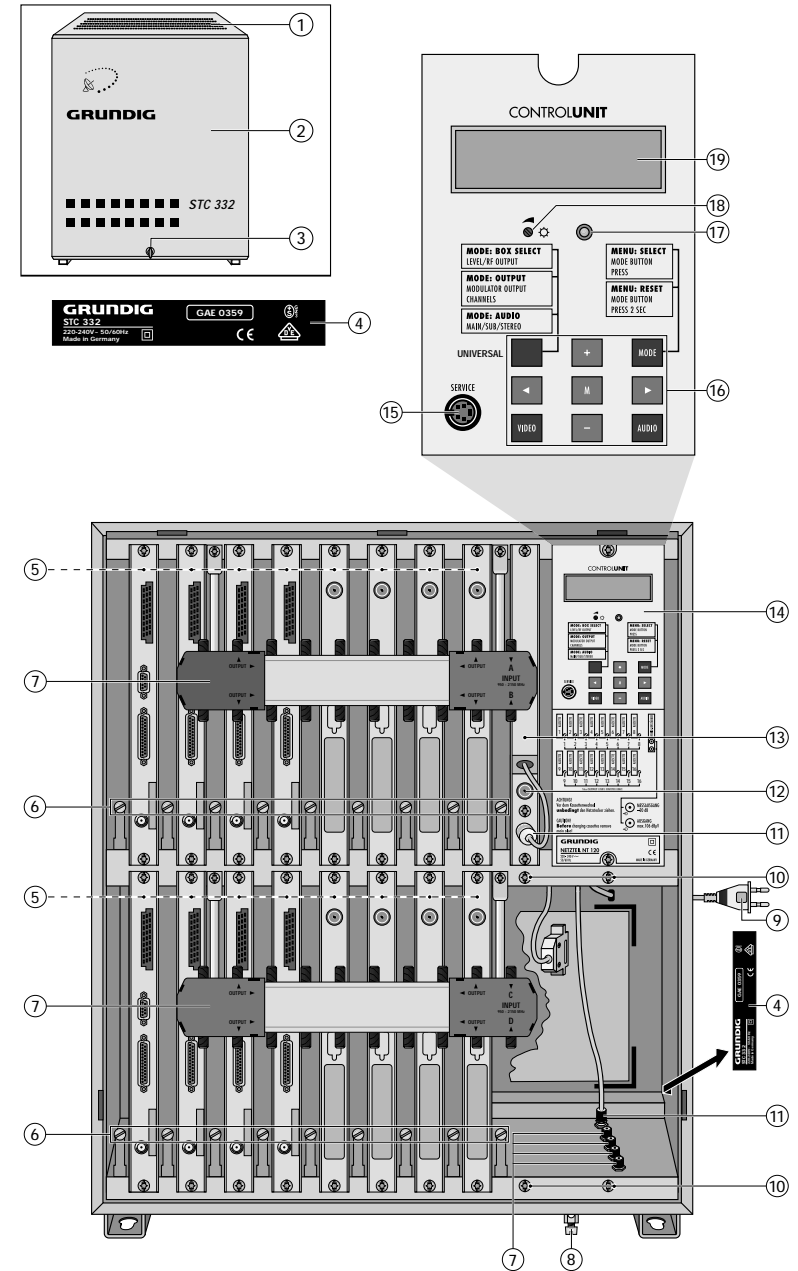
- Die Tasten » + « und » MODE « gleichzeitig drücken und solange gedrückt halten, bis folgende Zustände eintreten:
- Das Display wird dunkel.
  - Nach ca. 5 Sekunden erscheint z.B. »XXXXX-XXX\_01«, wobei die letzten beiden Ziffern den Softwarestand angeben, im Beispiel .01.

Technische Änderungen und Irrtümer vorbehalten!

## Operating Hints

**Note:** This chapter contains excerpts from the operating instructions. For further particulars please refer to the appropriate user instructions the part number of which is indicated in the relevant spare parts list.

## Location and Designation of the Components



## Components and connectors

- ① Ventilation slots.
- ② Unhingeable door; can be removed in upward direction.
- ③ Key for the door of the head station.
- ④ Type plate.
- ⑤ 2 x 8 cassette plug-in locations.
- ⑥ 2 x 8 level controls for the output signal (setting range 0 dB to -20 dB)..
- ⑦ SAT input distributors 1 + 2 (located in 2 separate housings): **in total 4 inputs A, B, C, D**, (female F connectors), **9 outputs per input** (female F connectors) (passage loss: typ. -16 dB).
- ⑧ Earth clamp: make the earth connection according to the valid VDE regulations 0855.
- ⑨ Mains socket (at the back of the housing).
- ⑩ 4 spare screws (for cassette fixation).
- ⑪ RF output socket: max. 104 dB $\mu$ V, for feeding the signals into the existing house distribution system (male F connector).
- ⑫ RF measuring output: -20 dB (male IEC connector)
- ⑬ Hybrid amplifier.
- ⑭ Power supply and control unit.
- ⑮ 2 supply plugs (+18V DC LNC voltage) for the RF inputs **A, B and C, D** (see page 5, section "Operation with twin LNC's").

## The control unit

### ⑮ SERVICE socket

Interface provided for PC-controlled programming; input socket for software update.

### ⑯ Keys on the control unit

#### Universal key (MAIN/SUB/STEREO)

When in the "OUTPUT" menu, press this key repeatedly until the output channels of the cassettes 1 to 4, 5 to 8 or 9 to 12 or 13 to 16 are shown in the display. Press once again to return to the "OUTPUT" menu.

When in the "AUDIO" menu, press this key to select the main carrier as well as the "Main" "Sub-Mono" or "Stereo" sound sub-carriers.

#### MODE key

**Select** in the menu: go to next menu item (user guidet).

**Reset** in the menu: press the key a longer time to return from any menu item to the beginning of the menu.

#### VIDEO key

Direct access to the "Video amplitude" menu item.

#### AUDIO key

Direct access to the "AUDIO" (audio frequency selection) menu item.

#### ◀ ▶ keys

When in the "INPUT" and "AUDIO" menus: move the cursor in the display to the **left** or the **right**.

#### + / - keys

Change settings.

#### M (Memory) key

Store changed settings.

- ⑰ Operating pilot lamp.
- ⑱ Display contrast control.
- ⑲ Control unit display.

## General

**1** The head station STC 332 is a modular system for the reception and conversion of analog satellite programmes (radio and TV), digital satellite programmes (radio und DVB TV = Digital Video Broadcasting), as well as terrestrial radio and TV programmes.

Users connected to the system can receive independently of each other all analog and digital satellite programmes of the satellite selected.

**2** According to the cassette type used, the received satellite signals are converted into an FM and a standard TV channel.

The head station can also convert digital satellite signals into a QAM or PAL output signal.

**3** As the system is built-up with plug-in modules, it is possible to equip it with up to 16 cassettes. Depending on the equipment variant, up to 32 TV or 64 radio programmes can be processed.

The cassettes comprise a satellite tuner, a demodulator, audio and video processors, as well as a modulator suitable for adjacent channel processing.

**4** The central switched-mode mains unit supplies the operating voltage via a contact bar in parallel to the 16 cassette locations. The central control unit is connected via I<sup>2</sup>C bus bars (SDA, SCL) with the cassettes. The user is guided by the two-line display on the control unit.

## Location and Designation of the Components

## Connection

**!** Before inserting new or replacing existing cassettes, it is **absolutely necessary to disconnect the mains plug!**

**1** First remove the corresponding fixing screws from the holding frame, then insert the cassettes (e.g from left to right) into the free plug-in locations, and finally fix them with the screws removed beforehand.

**i** 4 spare screws are fixed to the holding frame.

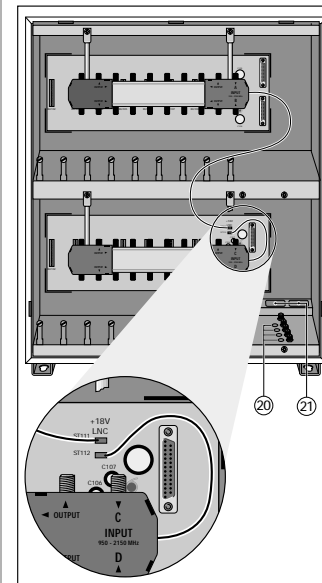
**2** When the head station is connected to the mains supply, all cassettes are automatically connected via the plug-in connectors on the contact rail with the required operating voltages supplied by the switched-mode mains unit.

**3** It is possible to connect every SAT cassette to one of the 4 input distributors. Each of the 4 input distributors is suited for remote power supply, that is the LNC's can be supplied with the operating voltage of +18 V DC/1 A.

**!** When operating with Twin-LNCs.

To be able to adjust the vertical polarisation with Twin-LNCs, the **corresponding supply plug** (LNC voltage +18 volts) for the **relevant HF inputs (A, B or C, D)** must be removed of **bottom** base plate of this head station before inserting the cassette(s) (see diagram below).

If necessary, remove cassette(s) beforehand.



**4** All output signals of the cassettes are added up in the output collector then passed on to the hybrid amplifier.

The hybrid amplifier allows for an output level of max. 104 dB $\mu$ V. The operating voltage of 24 V DC required for this is supplied by the switched-mode mains unit.

**5** The level controls at the front side enable a precise adjustment of the output signals.

**6** An additional monitor output (approximately -20 dB) enables the connection of a measuring TV receiver for service or monitoring.

**7** It is possible to operate head stations with less than 16 twin or single cassettes, and several head stations can be linked (see page 8).

**8** In the case of service it will suffice to replace the defective cassette with one of the same type; it will be programmed automatically.

**9** Pre-punched holes which can be pushed out for additional antenna inputs **20** and for connecting external appliances **21** (e.g. descrambler via AV Eurocable) make retrofitting easier.

## Mains connection

**!** When installing and before operating the head station, check to see whether the earth connection conforms with the valid VDE regulations 0855.

**1** Connect the head station to a mains voltage of 220 ... 240 V~, 50/60 Hz.

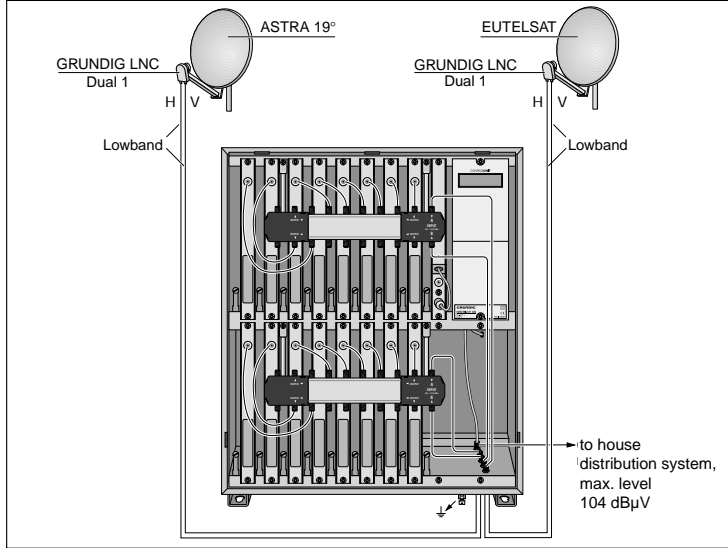
**!** The head station can only be switched off by pulling the mains plug.

**!** Before changing the power supply unit, first disconnect the mains plug from the wall outlet then pull out the other end of the mains cable from the power supply unit (on the intermediate plate of the head station).

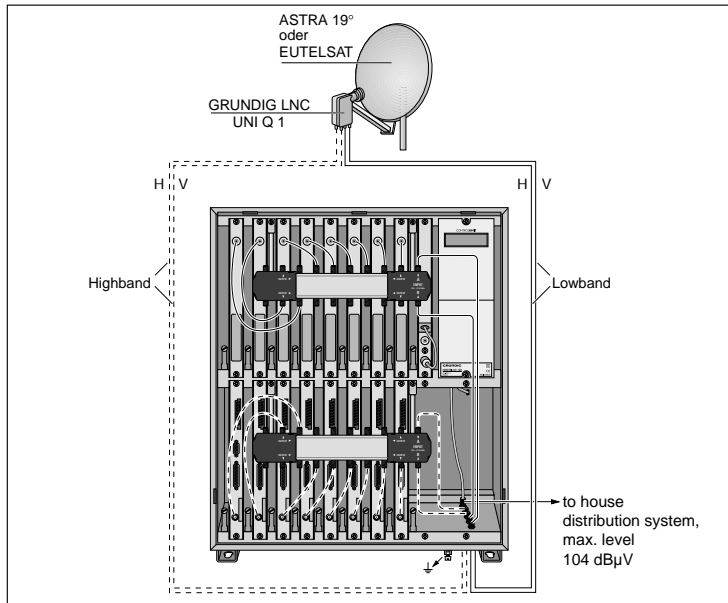
## Connection

Connection Examples

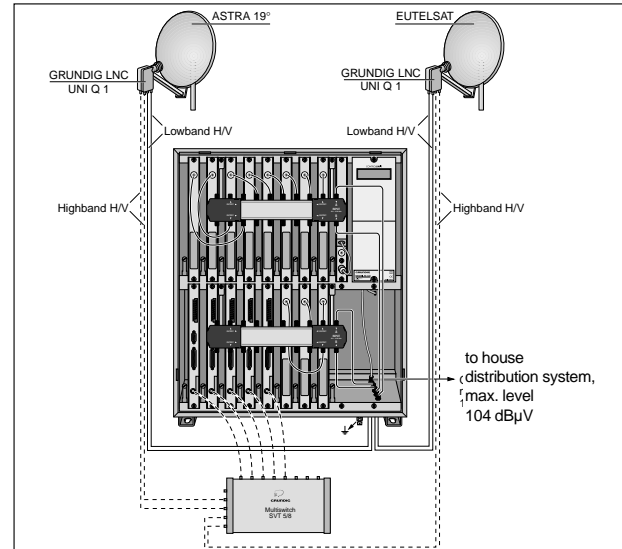
Connection example 1: analog processing of signals from 2 satellites



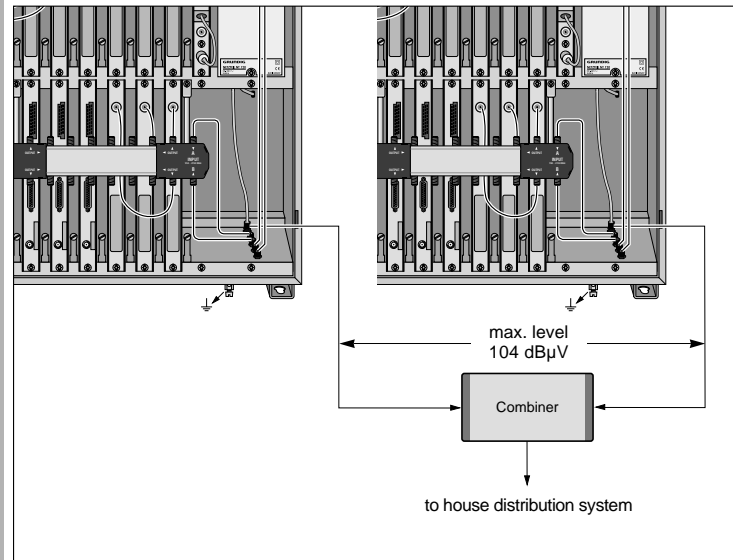
Connection example 2: analog and digital processing of signals from 1 satellite



Connection example 3: analog and digital processing of signals from two satellites



Connection example 4: Linking two GRUNDIG head stations STC 332



Connection Examples

## SAT-cassettes overview for the GRUNDIG head station STC 332

An explanation of cassette programming is to be found in the operating instructions of the respective cassette. It follows a list of the currently available cassettes with the most important data. The frequency assignment to the given channels is to be found in the chapter "Channel/Frequency assignment" (at the end of these operating instructions).

| Cassette type                           | Input range of cassette                     | Output range of cassette                      | Channel standard |
|-----------------------------------------|---------------------------------------------|-----------------------------------------------|------------------|
| <b>For twin satellite reception</b>     |                                             |                                               |                  |
| HRM 331                                 | 950-2150 MHz                                | C2-C4, S3-S24, C5-C12, 48,25 MHz - 327,25 MHz | CCIR             |
| HRM 333 A                               | 950-2150 MHz                                | C5-C12, S3-S24, 119,25 MHz - 327,25 MHz       | CCIR             |
| HRM 334                                 | 950-2150 MHz                                | S21-S41, 303,25 MHz - 463,25 MHz              | CCIR             |
| HRM 335 A                               | 950-2150 MHz                                | C21-C69, 471,25 MHz - 855,25 MHz              | CCIR             |
| HRM 341                                 | 950-2150 MHz                                | R1-R5, s2-s21, R6-R12, 49,75 MHz - 327,25 MHz | OIRT (Multinorm) |
| HRM 343                                 | 950-2150 MHz                                | R6-R12, s2-s21, 119,25 MHz - 327,25 MHz       | OIRT (Multinorm) |
| HRM 345                                 | 950-2150 MHz                                | C21-C69, 471,25 MHz - 855,25 MHz              | OIRT (Multinorm) |
| <b>For radio reception</b>              |                                             |                                               |                  |
| HRM 324/2                               | 950-2150 MHz                                | 87,5-108 MHz                                  |                  |
| HRM 325                                 | 87,5-108 MHz                                | 87,5-108 MHz                                  |                  |
| HRM 326/4                               | 87,5-108 MHz                                | 87,5-108 MHz                                  |                  |
| <b>For terrestrial reception (CCIR)</b> |                                             |                                               |                  |
| HRM 391                                 | C2-C12, S2-S41, C21-C69, 48,25 - 855,25 MHz | C2-C4, S3-S24, C5-C12, 48,25 MHz - 327,25 MHz | CCIR             |
| HRM 393                                 | C2-C12, S2-S41, C21-C69, 48,25 - 855,25 MHz | C5-C12, S3-S24, 119,25 MHz - 327,25 MHz       | CCIR             |
| HRM 394                                 | C2-C12, S2-S41, C21-C69, 48,25 - 855,25 MHz | S21-S41, 303,25 MHz - 463,25 MHz              | CCIR             |
| HRM 395                                 | C2-C12, S2-S41, C21-C69, 48,25 - 855,25 MHz | C21-C69, 471,25 MHz - 855,25 MHz              | CCIR             |

## SAT Cassettes Overview

## SAT Cassettes Overview

| Cassette type                                                       | Input range of cassette                         | Output range of cassette                      | Channel standard |
|---------------------------------------------------------------------|-------------------------------------------------|-----------------------------------------------|------------------|
| <b>For terrestrial reception (OIRT)</b>                             |                                                 |                                               |                  |
| HCM 381                                                             | R1-R12, s2-s38, C21-C69, 49,75 MHz - 855,25 MHz | R1-R5, s2-s21, R6-R12, 49,75 MHz - 351,25 MHz | OIRT             |
| HCM 383                                                             | R1-R12, s2-s38, C21-C69, 49,75 MHz - 855,25 MHz | R6-R12, s2-s21, 119,25 MHz - 327,25 MHz       | OIRT             |
| HCM 385                                                             | R1-R12, s2-s38, C21-C69, 49,75 MHz - 855,25 MHz | C21-C69, 471,25 MHz - 855,25 MHz              | OIRT             |
| <b>For digital satellite reception (Digital Video Broadcasting)</b> |                                                 |                                               |                  |
| HDM 303 P                                                           | 950-2150 MHz                                    | C5-C12, S3-S30, 119,25 MHz - 375,25 MHz       | CCIR             |
| HDM 303 PA                                                          | 950-2150 MHz                                    | C5-C12, S3-S24, 119,25 MHz - 327,25 MHz       | CCIR             |
| HDM 305 P                                                           | 950-2150 MHz                                    | C21-C69, 471,25 MHz - 855,25 MHz              | CCIR             |
| HDM 314 C                                                           | 950-2150 MHz                                    | S21-S41, 303,25 MHz - 463,25 MHz              | QAM              |
| HDM 315 C                                                           | 950-2150 MHz                                    | C21-C40, 471,25 MHz - 623,25 MHz              | QAM              |
| HDM 353 P                                                           | 950-2150 MHz                                    | R6-R12, s2-s27, 119,25 MHz - 375,25 MHz       | OIRT (Multinorm) |
| HDM 355 P                                                           | 950-2150 MHz                                    | C21-C69, 471,25 MHz - 855,25 MHz              | OIRT (Multinorm) |

### i

#### Calling up the software version of the Control Unit:

Press the **+** and **MODE** keys at the same time and hold them down until the following occurs:

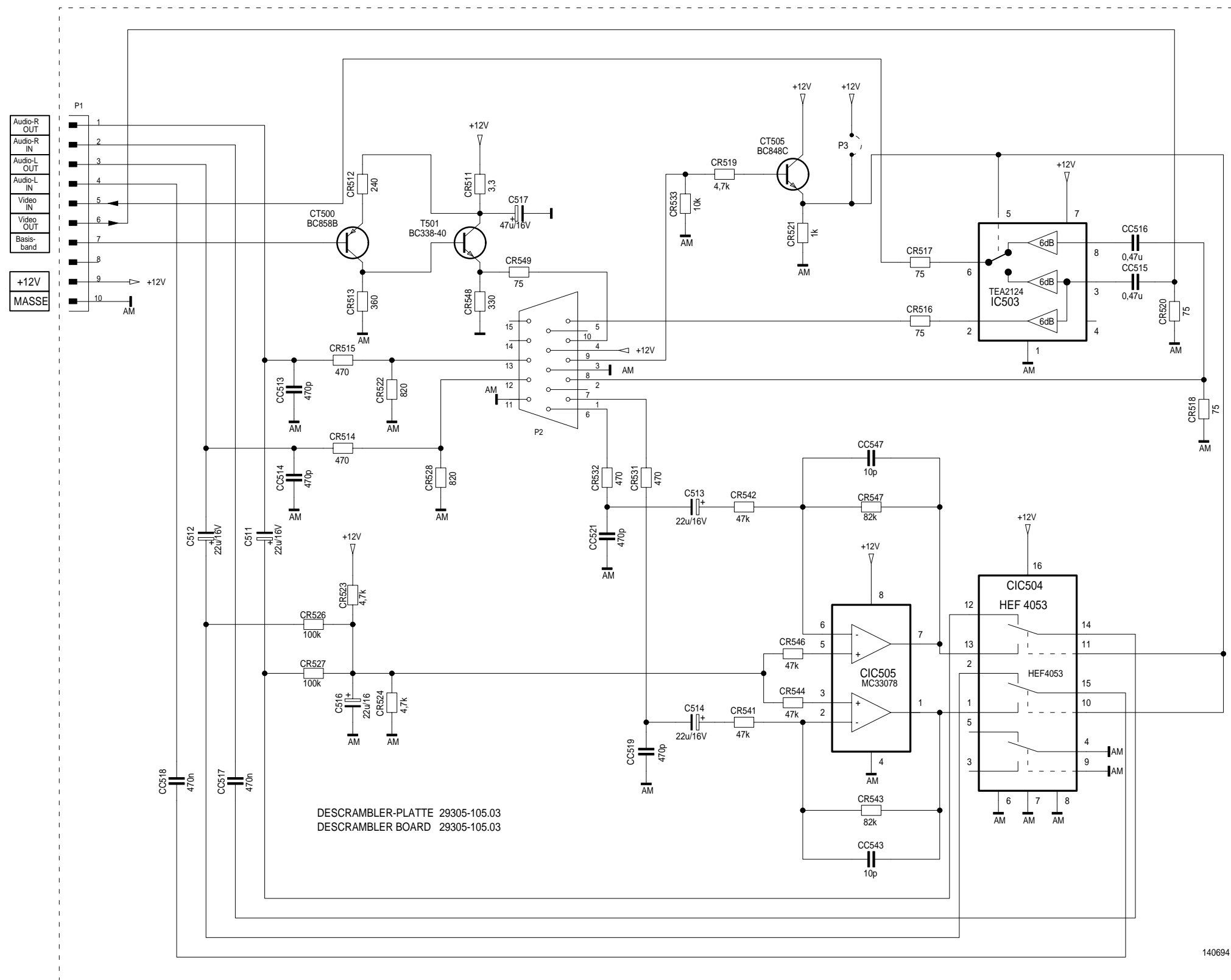
- The display turns dark.
- After approximately 5 seconds appears, for example, "XXXX-XXX.01", the last two digits indicating the software index, .01 in the example.

Subject to technical alterations. Errors and omissions excepted.

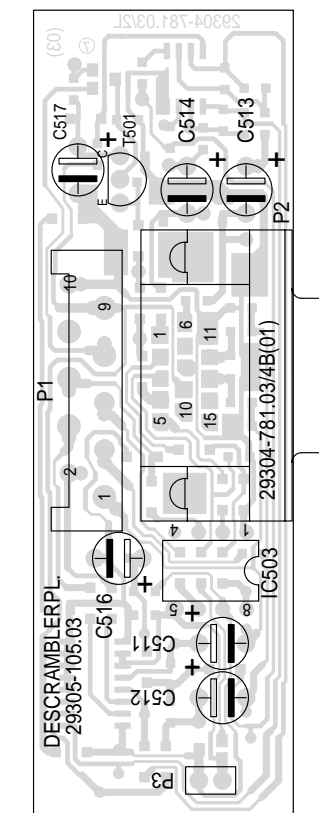
# Schaltpläne und Druckplattenabbildungen / Circuit Diagrams and Layout of PCBs

Für die tatsächliche Bauteilbestückung ist das Schaltbild maßgebend!  
The circuit diagram is relevant for the actual component assembly!

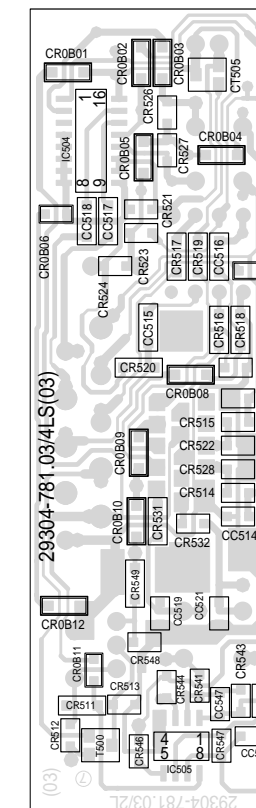
## Descrambler-Platte / Descrambler Board



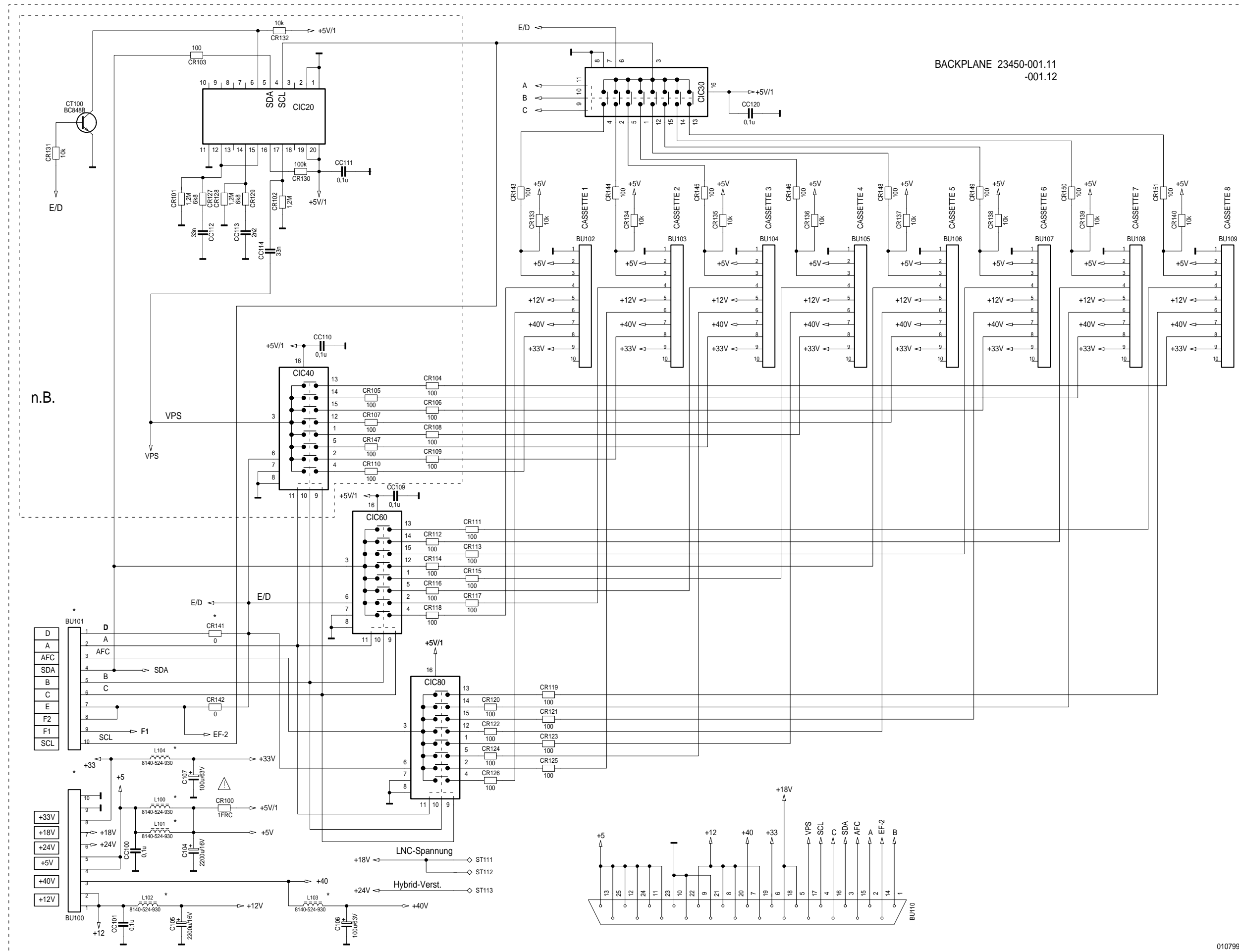
### Bestückungsseite / Component Side



### Lötseite / Solder Side



# Backplane



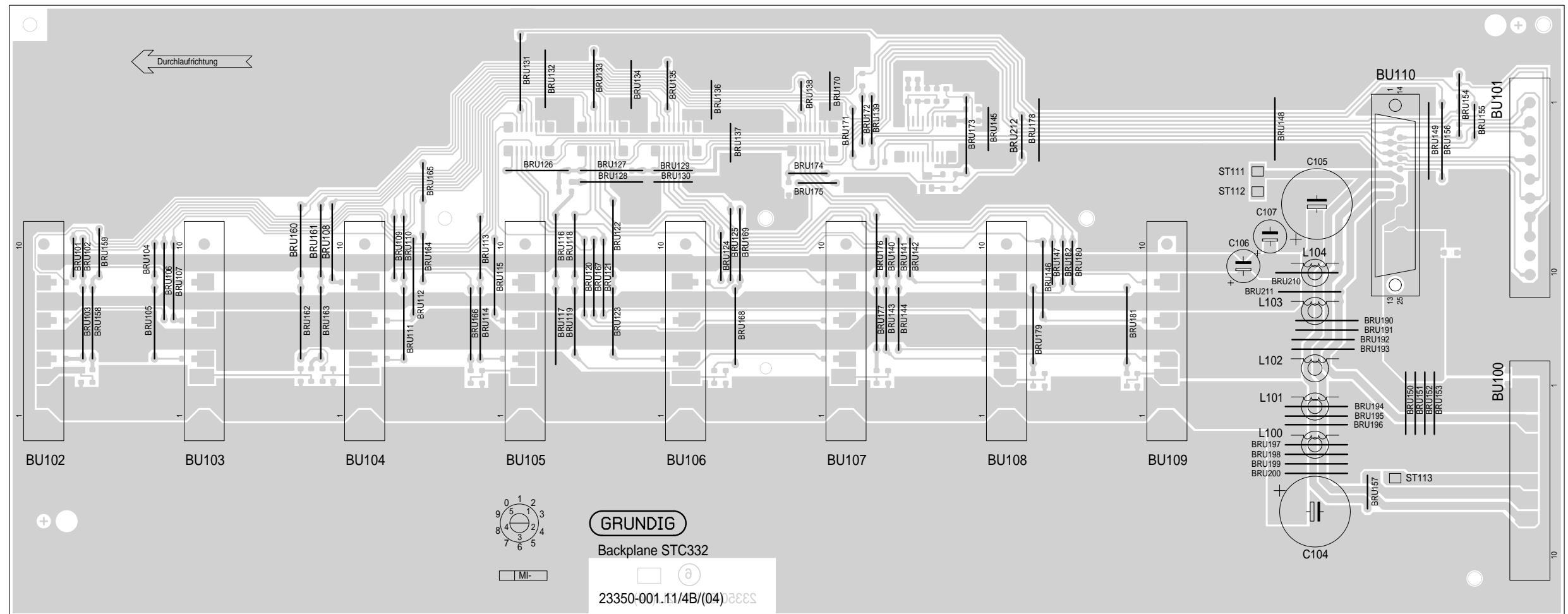
010799



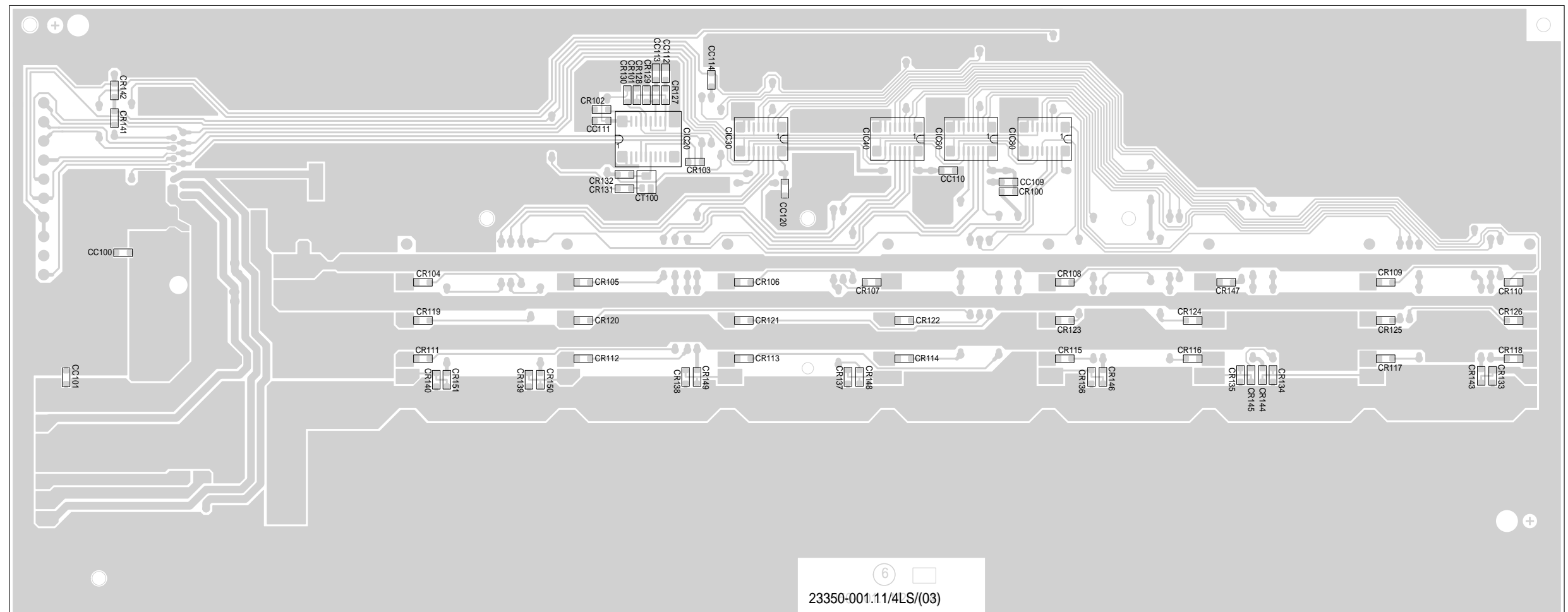
**Backplane**

**Bestückungsseite**  
Component Side

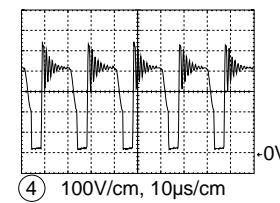
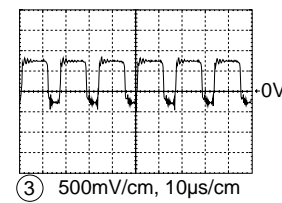
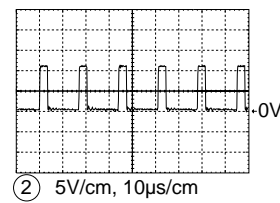
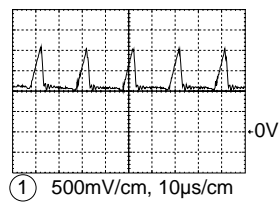
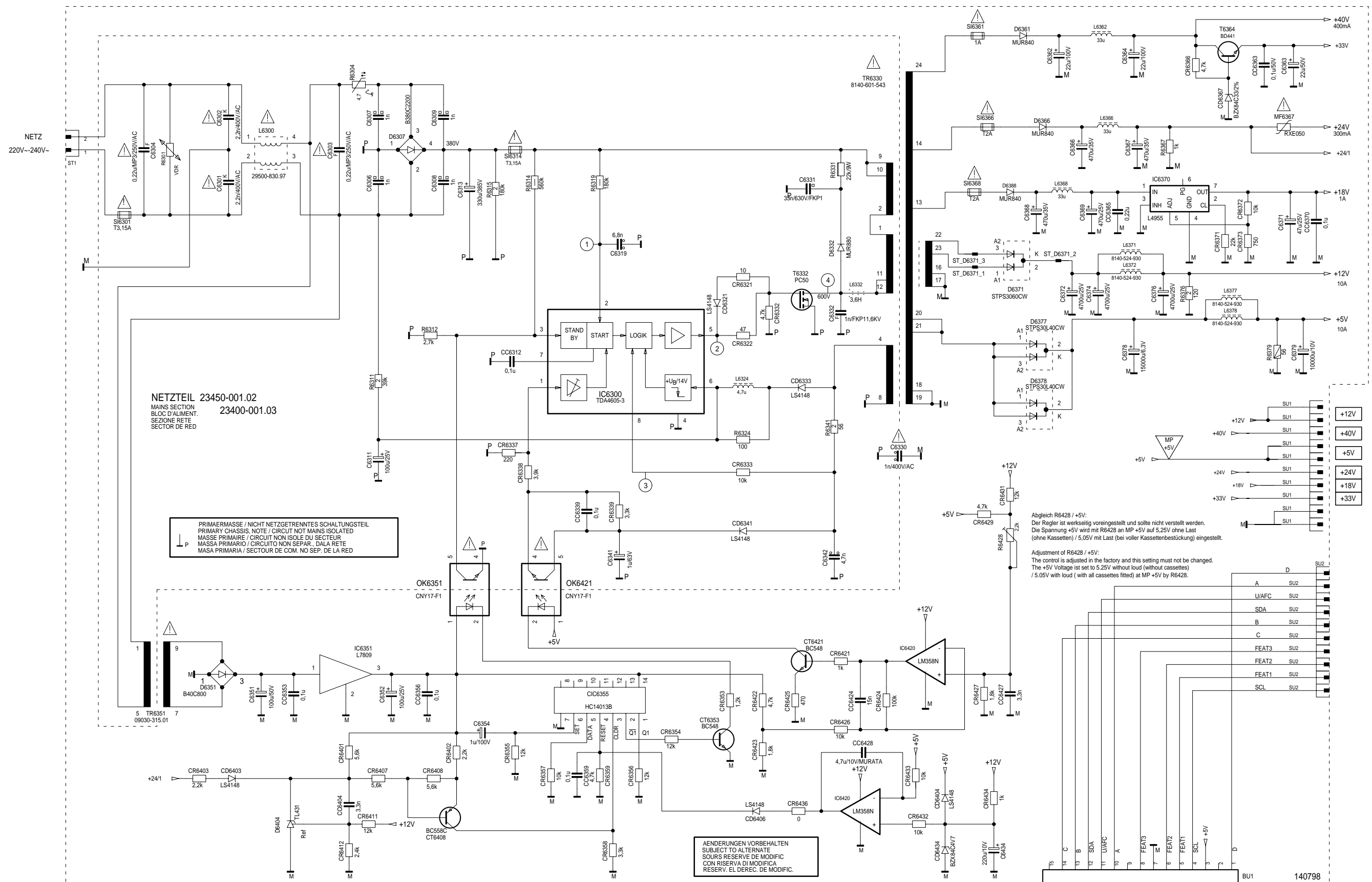
Für die tatsächliche Bauteilbestückung ist das Schaltbild maßgebend! / The circuit diagram is relevant for the actual component assembly!



**Lötseite / Solder Side**



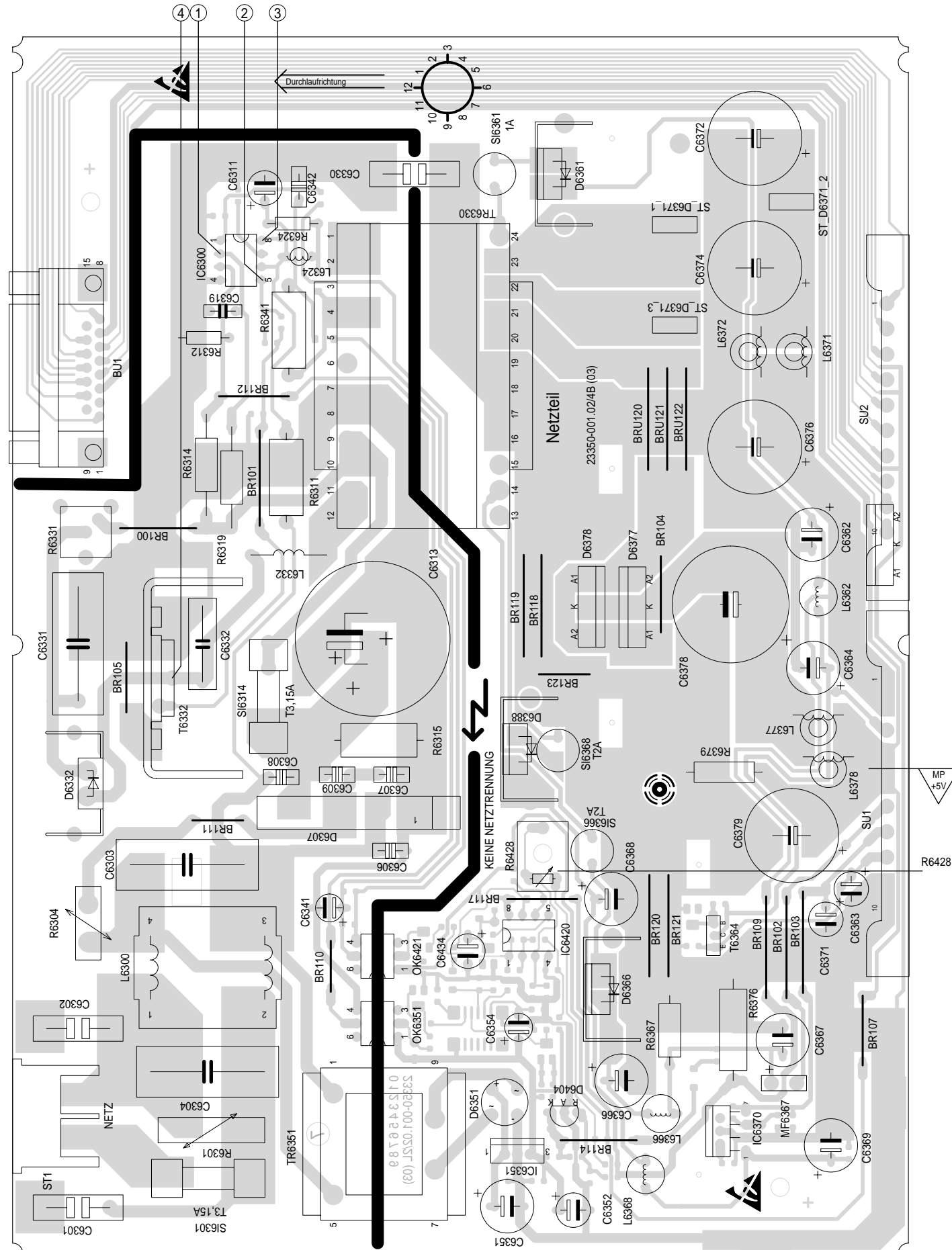
Netzteil / Power Supply



Spannungen und Oszillogramme ohne Last gemessen  
 Voltages and oscillograms measured without load

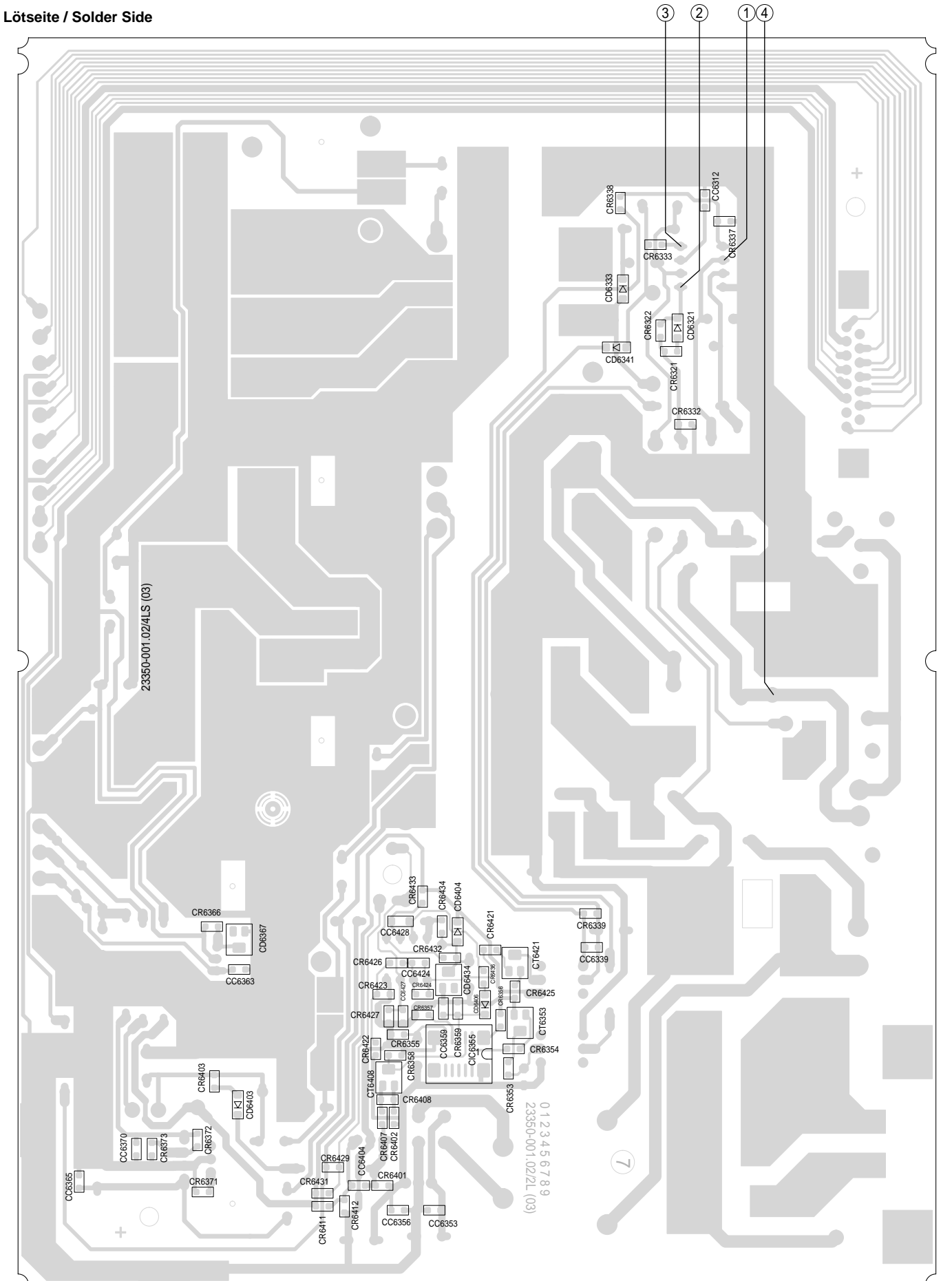
Netzteil / Power Supply

Bestückungsseite / Component Side



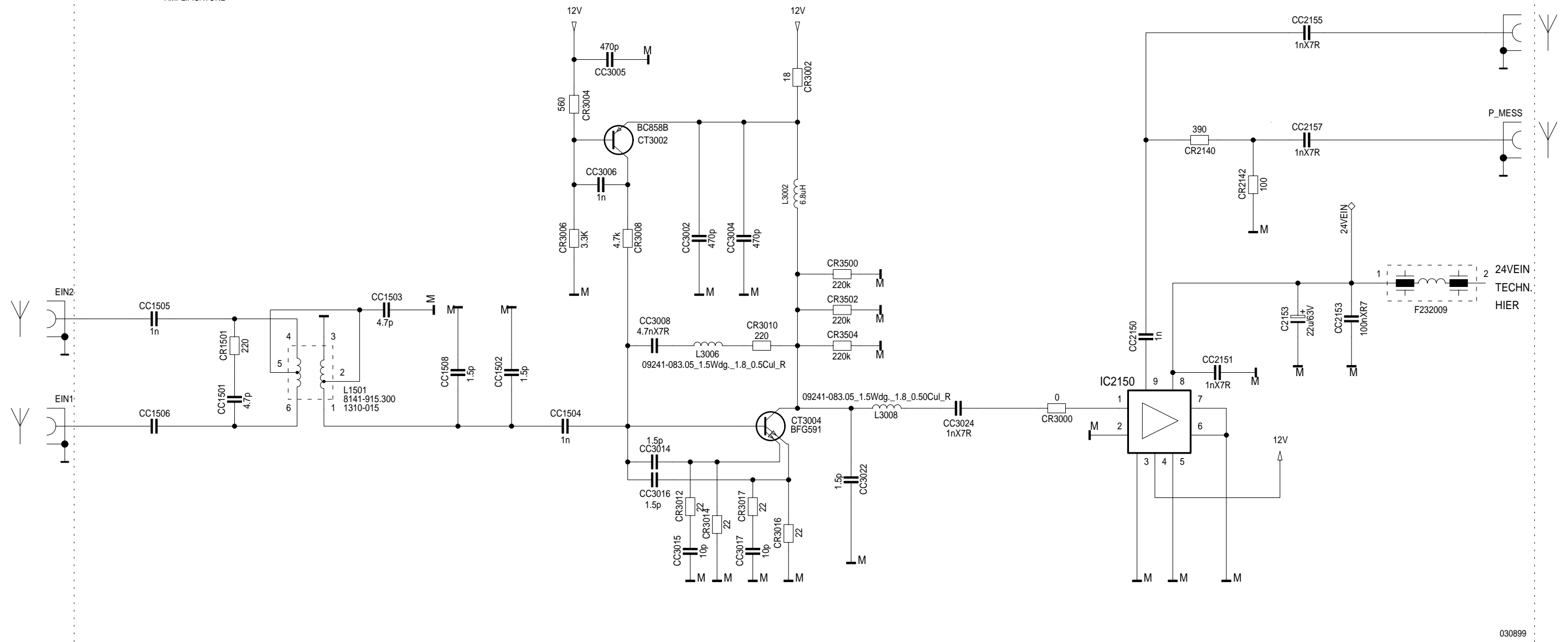
Für die tatsächliche Bauteilbestückung ist das Schaltbild maßgebend!  
The circuit diagram is relevant for the actual component assembly!

Lötseite / Solder Side

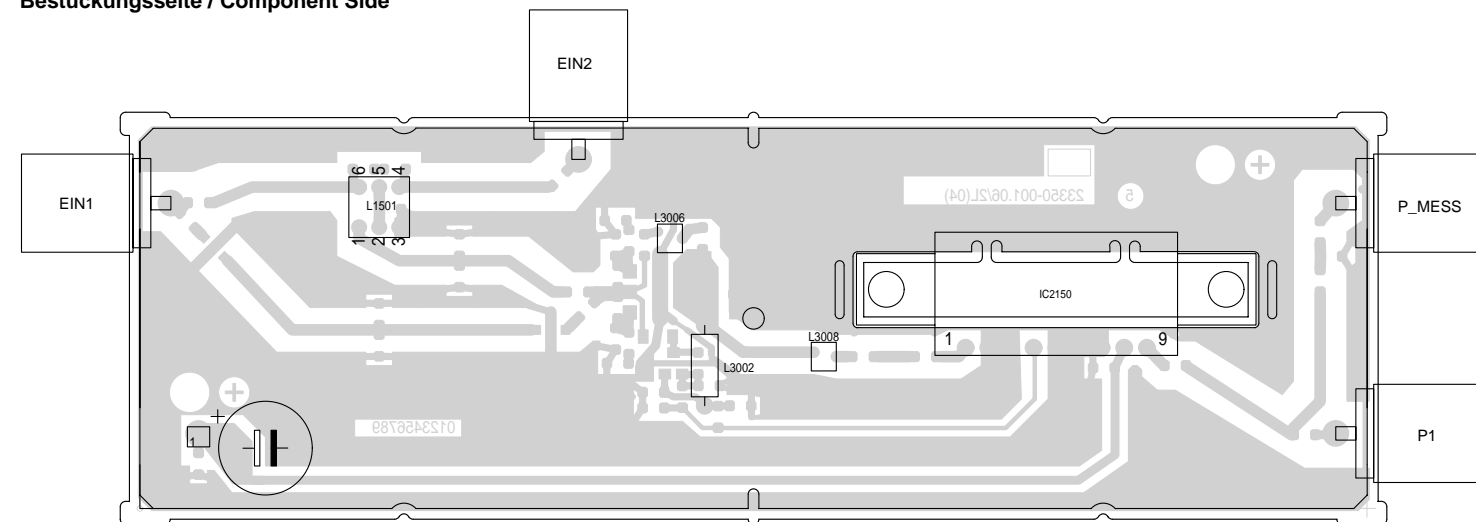


Hybrid-Verstärker / Hybrid Amplifier

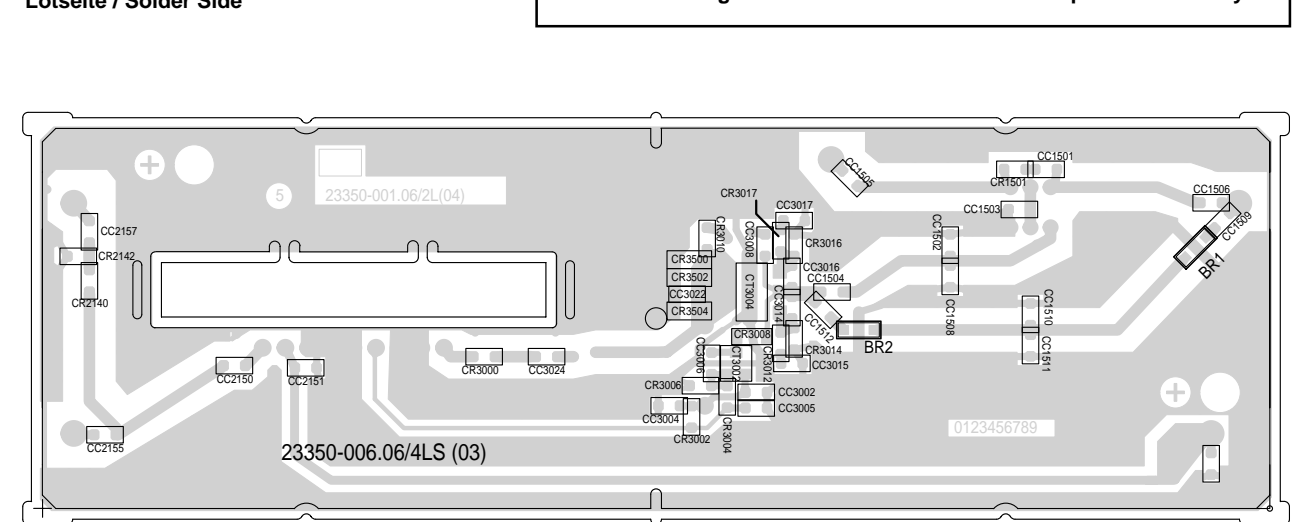
HYBRID-VERSTAERKER 2+2 STC 332 23400-001.10  
 -AMPLIFIER 23450-001.06  
 -AMPLIFICATEUR 23400-001.08  
 -AMPLIFICATORE



Bestückungsseite / Component Side

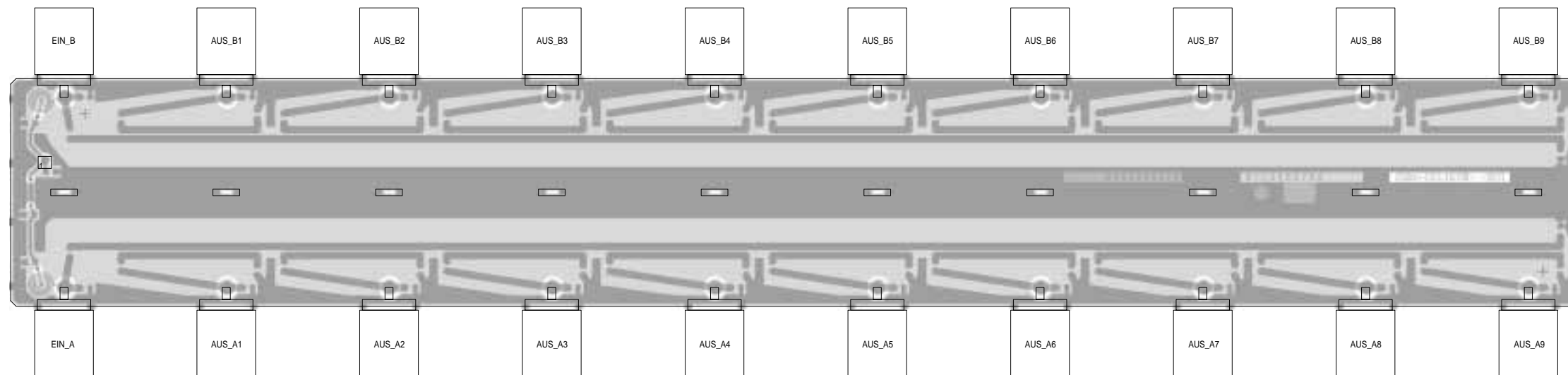
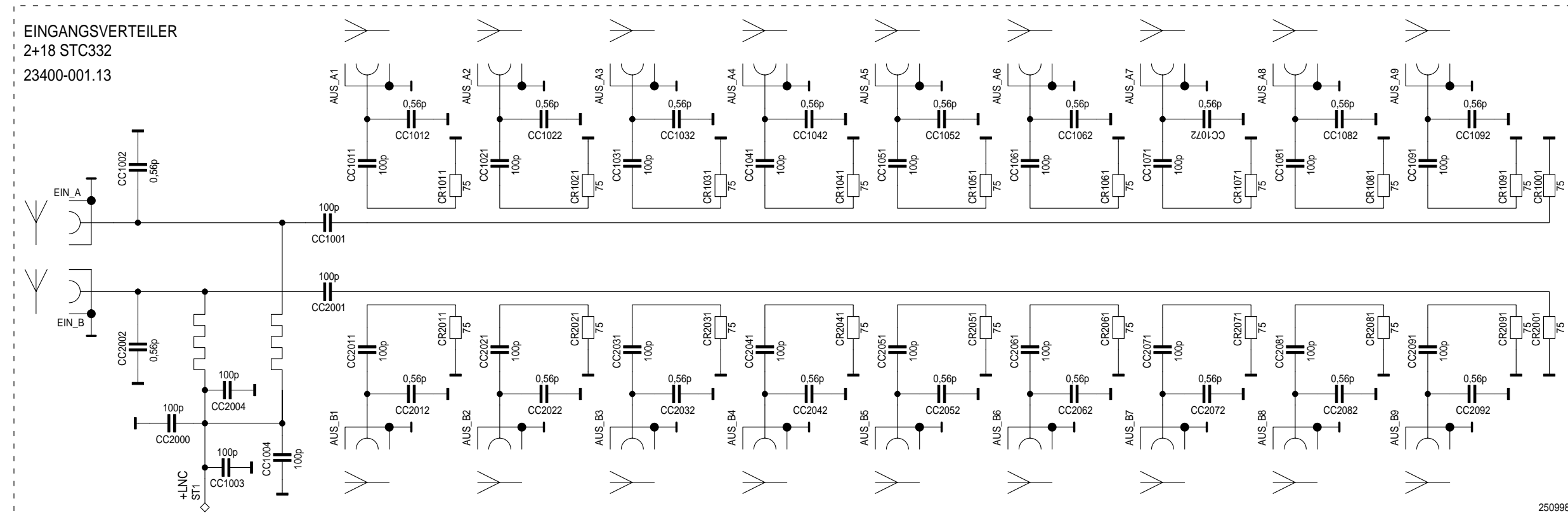


Lötseite / Solder Side

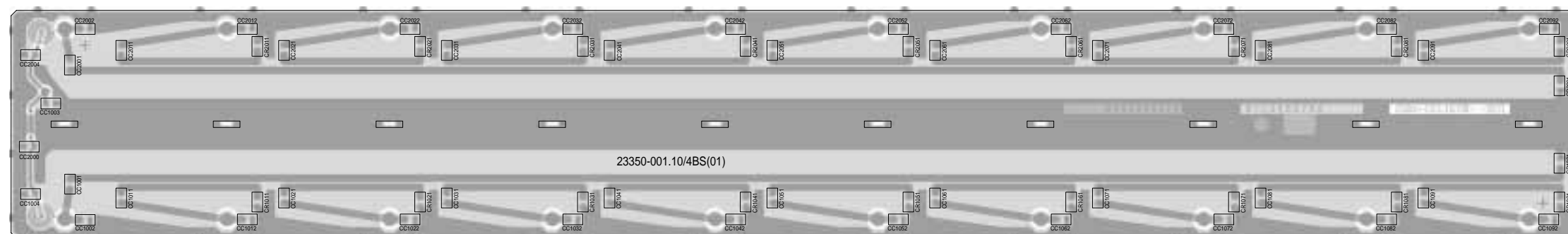


**Für die tatsächliche Bauteilbestückung ist das Schaltbild maßgebend!**  
**The circuit diagram is relevant for the actual component assembly!**

Eingangverteiler / Input Distributor



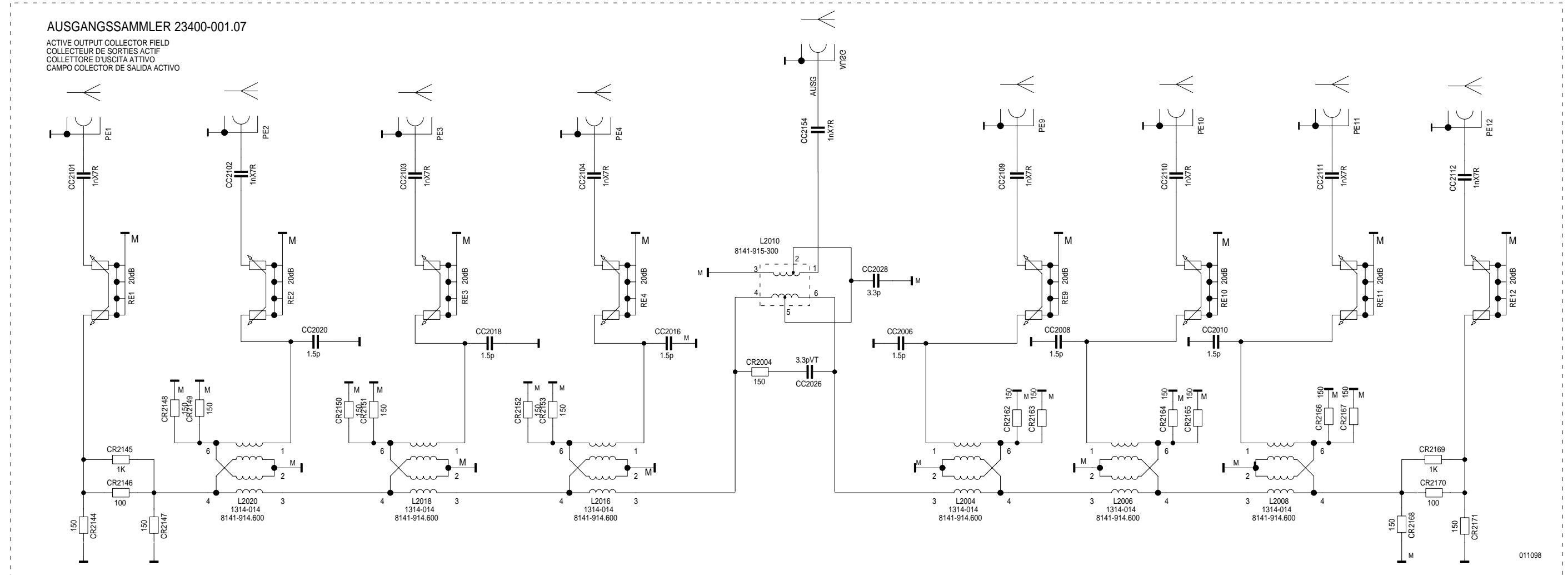
Bestückungsseite / Component Side



Lötseite / Solder Side

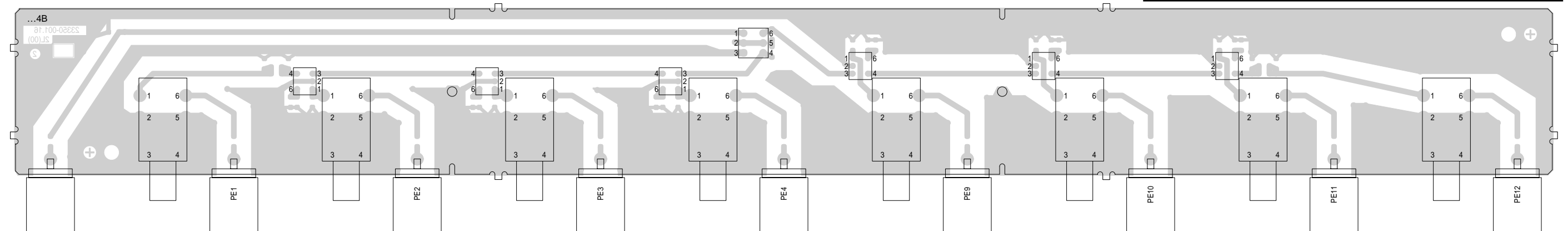
Für die tatsächliche Bauteilbestückung ist das Schaltbild maßgebend!  
The circuit diagram is relevant for the actual component assembly!

**Ausgangssammler / Output Collector Field**

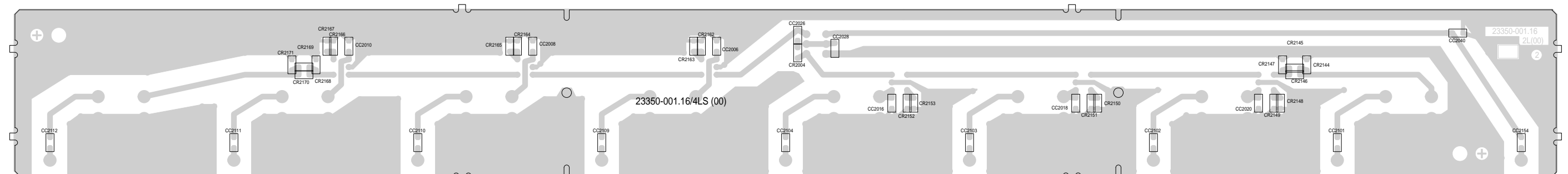


**Bestückungsseite / Component Side**

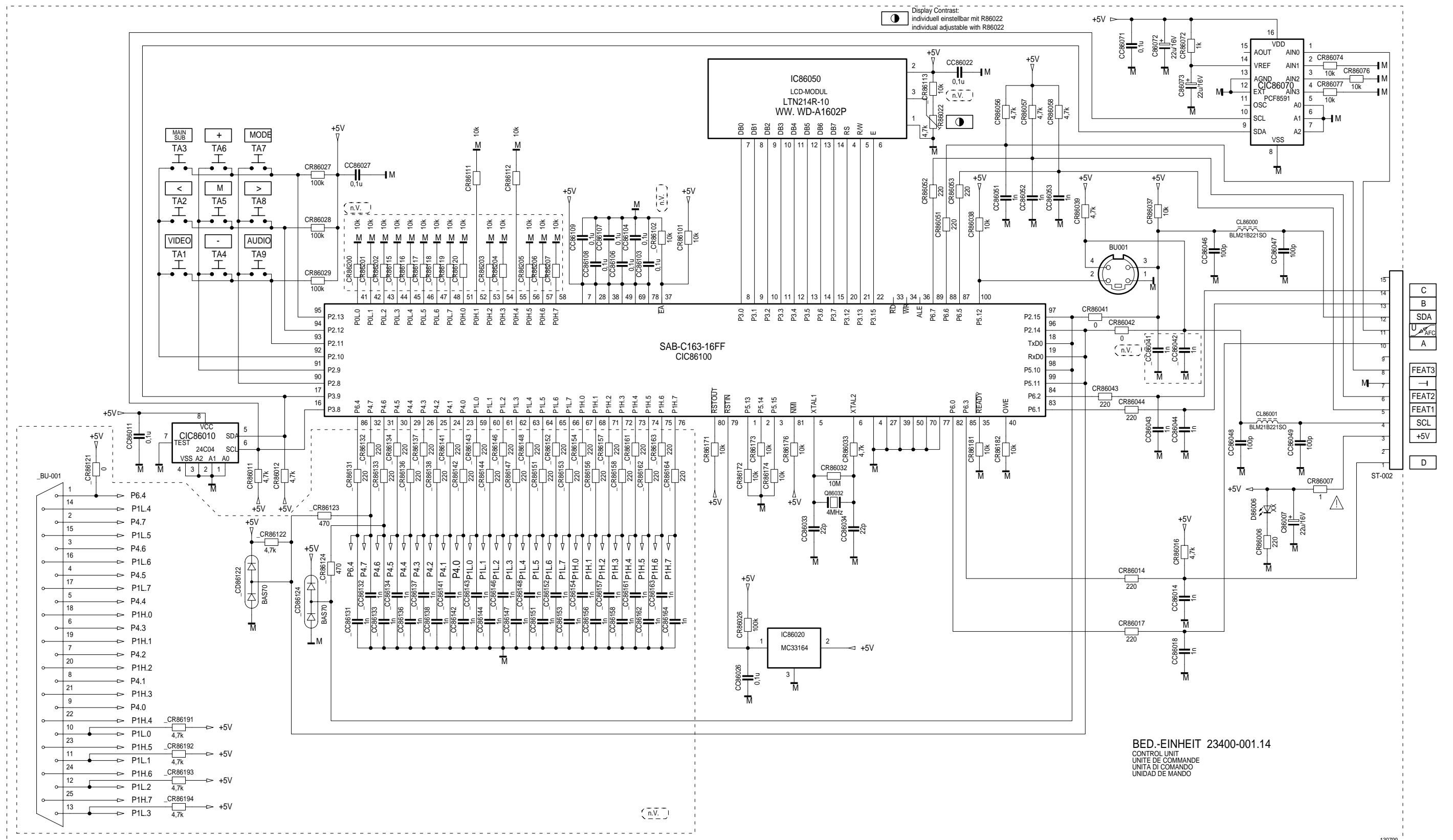
**Für die tatsächliche Bauteilbestückung ist das Schaltbild maßgebend!  
 The circuit diagram is relevant for the actual component assembly!**



**Lötseite / Solder Side**



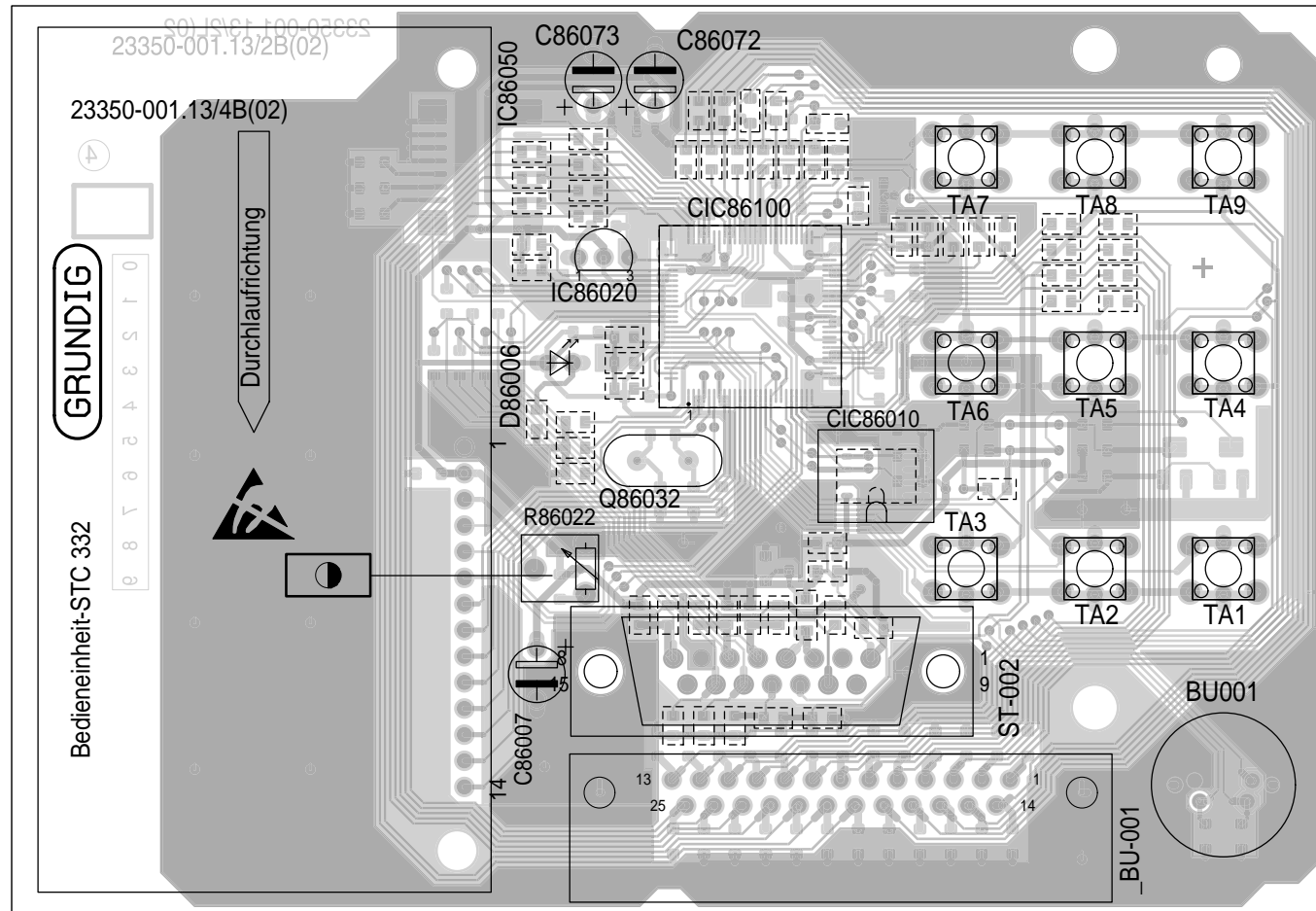
Bedien-Einheit / Control Unit



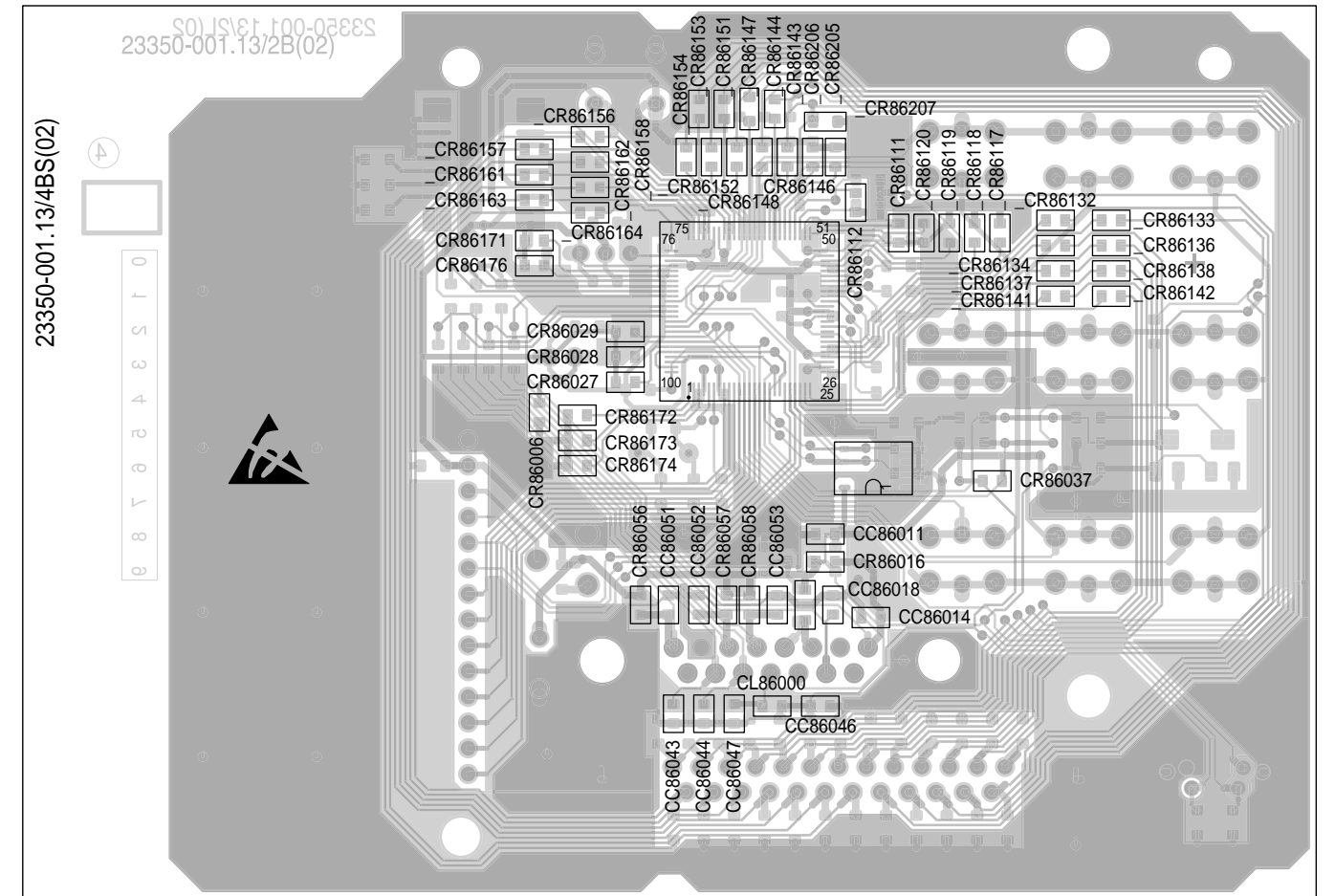
BED.-EINHEIT 23400-001.14  
CONTROL UNIT  
UNITE DE COMMANDE  
UNITA DI COMANDO  
UNIDAD DE MANDO

Bedien-Einheit / Control Unit

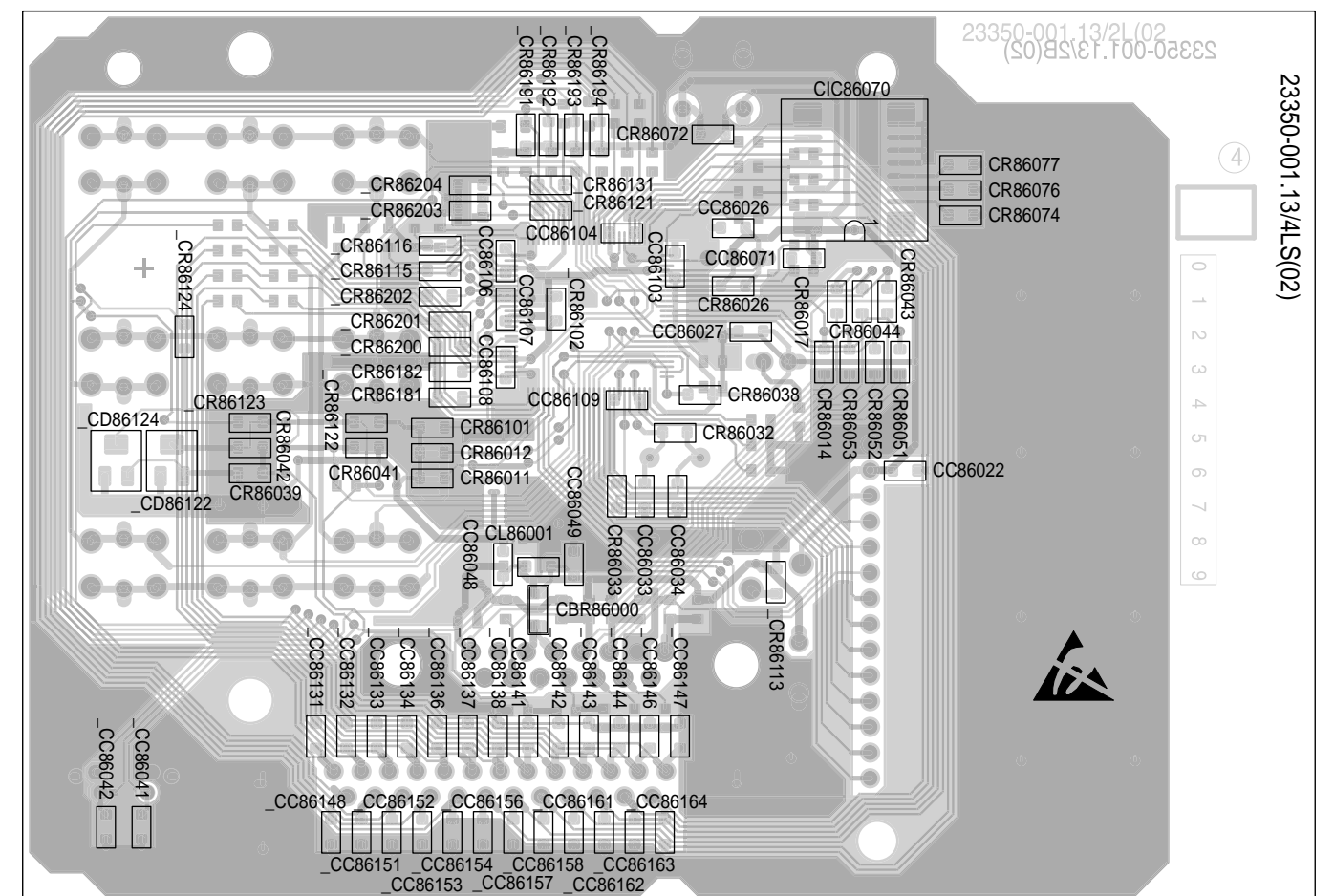
Bestückungsseite / Component Side



Bestückungsseite / Component Side



Lötseite / Solder Side



Für die tatsächliche Bauteilbestückung ist das Schaltbild maßgebend!  
The circuit diagram is relevant for the actual component assembly!





| POS. NR.<br>POS. NO. | MATERIAL-NR.<br>PART NUMBER | BEZEICHNUNG<br>DESCRIPTION |
|----------------------|-----------------------------|----------------------------|
|----------------------|-----------------------------|----------------------------|

|          |                  |                  |
|----------|------------------|------------------|
| SI 06368 | △ 83156 202 2500 | SI LOET T2A 250V |
|----------|------------------|------------------|

|         |                |                    |
|---------|----------------|--------------------|
| T 06332 | 83028 050 5000 | TRANS IRF PC50 IRF |
| T 06364 | 83022 104 4100 | TRANS.BD 441 SGS   |

|         |                  |                                                          |
|---------|------------------|----------------------------------------------------------|
| TR06330 | △ 81406 015 4300 | TRAFO SPERRWANDLER<br>B.O.-TYPE CONVERTER<br>TRANSFORMER |
|---------|------------------|----------------------------------------------------------|

|         |                  |                        |
|---------|------------------|------------------------|
| TR06351 | △ 29201 601 9700 | TRAFO NETZ/TRANSFORMER |
|---------|------------------|------------------------|

| POS. NR.<br>POS. NO. | MATERIAL-NR.<br>PART NUMBER | BEZEICHNUNG<br>DESCRIPTION |
|----------------------|-----------------------------|----------------------------|
|----------------------|-----------------------------|----------------------------|

## Ersatzteilliste Spare Parts List

### 1 / 99

| POS. NR.<br>POS. NO. | MATERIAL-NR.<br>PART NUMBER | BEZEICHNUNG<br>DESCRIPTION |
|----------------------|-----------------------------|----------------------------|
|----------------------|-----------------------------|----------------------------|

|          |                |                       |
|----------|----------------|-----------------------|
| CT 03002 | 83010 038 5800 | SMD-TRANS.BC 858 B    |
| CT 03004 | 83011 705 9100 | SMD-TRANS.BFG 591 PHI |

|          |                |                                          |
|----------|----------------|------------------------------------------|
| IC 02150 | 83059 008 8500 | HYBRIDSCHALTUNG BGE885<br>HYBRID CIRCUIT |
|----------|----------------|------------------------------------------|

|         |                |                                                |
|---------|----------------|------------------------------------------------|
| L 01501 | 81419 153 0000 | BALUN UEBERTRAGER 7X7 #30<br>BALUN TRANSFORMER |
|---------|----------------|------------------------------------------------|

|         |                |                   |
|---------|----------------|-------------------|
| L 03002 | 81405 265 0000 | DR 0309 6,8UH 10% |
| L 03006 | 09241 083 0100 | HF-SPULE          |
| L 03008 | 09241 083 0100 | HF-SPULE          |

# GRUNDIG

## SAT

### HYBRIDVERSTAERKER HYBRID AMPLIFIER

MATERIAL-NR. / PART NO.: 23400 001 1000

| POS. NR.<br>POS. NO. | MATERIAL-NR.<br>PART NUMBER | BEZEICHNUNG<br>DESCRIPTION |
|----------------------|-----------------------------|----------------------------|
|----------------------|-----------------------------|----------------------------|

Es gelten die Vorschriften und Sicherheitshinweise gemäß dem Service Manual "Sicherheit", Mat.-Nummer 72010 800 0000, sowie zusätzlich die eventuell abweichenden, landesspezifischen Vorschriften!



The regulations and safety instructions shall be valid as provided by the "Safety" Service Manual, part number 72010 800 0000, as well as the respective national deviations.

ÄNDERUNGEN VORBEHALTEN / SUBJECT TO ALTERATION

Btx \*32700#

Es gelten die Vorschriften und Sicherheitshinweise gemäß dem Service Manual "Sicherheit", Mat.-Nummer 72010 800 0000, sowie zusätzlich die eventuell abweichenden, landesspezifischen Vorschriften!



The regulations and safety instructions shall be valid as provided by the "Safety" Service Manual, part number 72010 800 0000, as well as the respective national deviations.

ÄNDERUNGEN VORBEHALTEN / SUBJECT TO ALTERATION

Btx \*32700#

Ersatzteilliste  
Spare Parts List

1 / 99

BEDIENEINHEIT BE 332  
CONTROL UNIT BE 332

MATERIAL-NR. / PART NO.: 23400 001 1400

| POS. NR.<br>POS. NO. | ABB.<br>FIG. | MATERIAL-NR.<br>PART NUMBER | ANZ.<br>QTY. | BEZEICHNUNG<br>(D)   | DESCRIPTION<br>(GB) |
|----------------------|--------------|-----------------------------|--------------|----------------------|---------------------|
| 0100.000             |              | 23100 090 0100              |              | FRONTPLATTE BEDRUCKT | FRONT PANEL PRINTED |
| 0255.000             |              | 23100 033 0100              |              | TASTENSATZ 9-FACH    | KEY SET 9-WAY       |
| 0256.000             |              | 29703 357 0100              | 9            | TASTSCHALTER         | KEY SWITCH          |
| 0267.000             |              | 29303 721 0300              |              | LCD-EINHEIT          | LCD UNIT            |
| 1100.000             |              | 29303 522 0300              |              | S-VHS BUCHSE         | S-VHS-SOCKET        |
| 1310.000             |              | 39615 113 0000              |              | D-SUB STIFT 15-POL   | D-SUB PLUG 15 PIN   |

| POS. NR.<br>POS. NO. | MATERIAL-NR.<br>PART NUMBER | BEZEICHNUNG<br>DESCRIPTION | POS. NR.<br>POS. NO. | MATERIAL-NR.<br>PART NUMBER | BEZEICHNUNG<br>DESCRIPTION |
|----------------------|-----------------------------|----------------------------|----------------------|-----------------------------|----------------------------|
| CIC86010             | 83059 600 0500              | SMD IC M24C04-MN1-T        |                      |                             |                            |
| CIC86070             | 83058 185 9100              | SMD IC PCF8591T-T3 SOL16   |                      |                             |                            |
| CIC86100             | 83058 281 1600              | SMD IC SABC163-16FF SIE    |                      |                             |                            |
| CR86007              | △ 87063 200 0100            | SMD R SI 1206 1 OHM 5%     |                      |                             |                            |
| D 86006              | 83099 446 0500              | LE-DIODE TLHG4601 TEMIC    |                      |                             |                            |
| IC 86020             | 83052 100 6400              | IC MC33164P-5RP            |                      |                             |                            |
| Q 86032              | 83821 620 4100              | QUARZ 4 MHZ LNG8-638 NDK   |                      |                             |                            |
| R 86022              | 87920 021 4600              | ESTR.S6 4,7 KOHM LIN       |                      |                             |                            |

Es gelten die Vorschriften und Sicherheitshinweise gemäß dem Service Manual "Sicherheit", Mat.-Nummer 72010 800 0000, sowie zusätzlich die eventuell abweichenden, landesspezifischen Vorschriften!



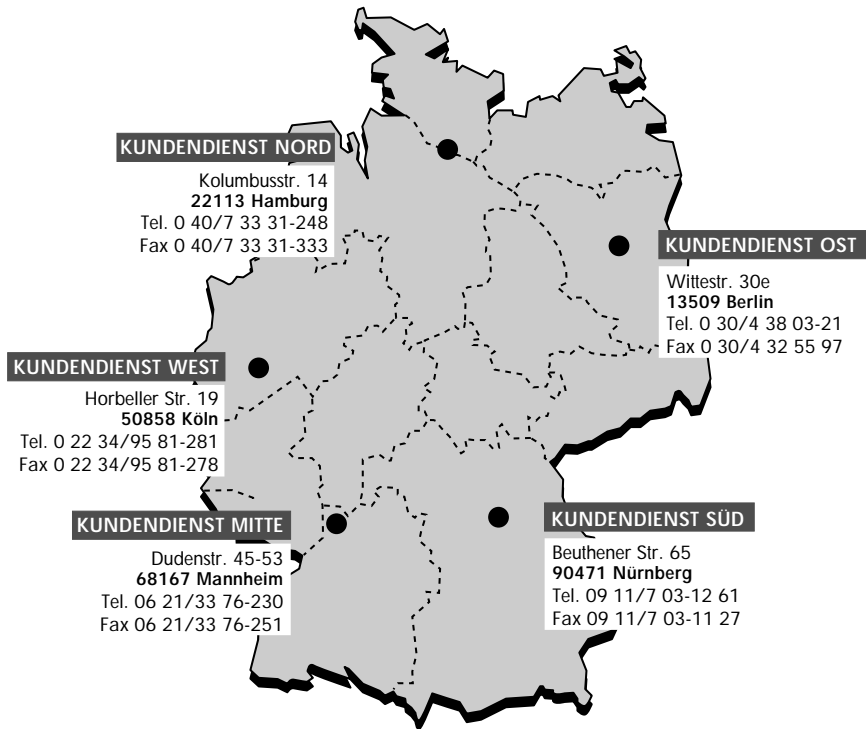
The regulations and safety instructions shall be valid as provided by the "Safety" Service Manual, part number 72010 800 0000, as well as the respective national deviations.

Btx \*32700#

ÄNDERUNGEN VORBEHALTEN / SUBJECT TO ALTERATION

# GRUNDIG

## Kundendienst Deutschland



# GRUNDIG

## Kundendienst Europa

